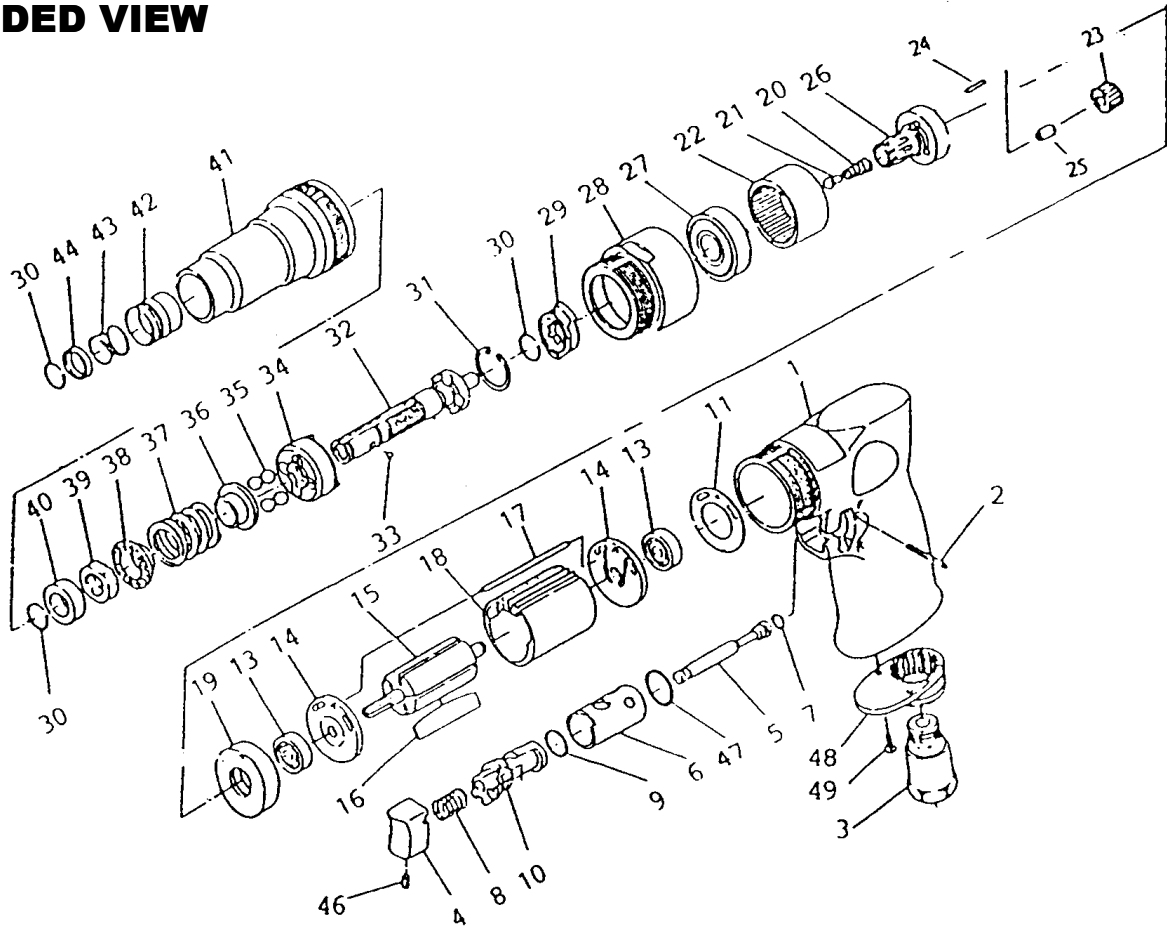


1102 ADJUSTABLE CLUTCH SCREWDRIVER

EXPLODED VIEW



PARTS LIST – FOR REFERENCE ONLY

Index Number	Part Number	Description	Qty.	Index Number	Part Number	Description	Qty.	Index Number	Part Number	Description	Qty.
1	80201	Housing	1	18	80218	Cylinder	1	34	80234	Clutch Carrier	1
2	80202	Pin	1	19	80219	Spacer	1	35	80235	Steel Ball	4
3	70103	Air Inlet	1	20	80220	Spring	1*	36	80236	Washer	1
4	70104	Trigger	1	21	80221	Spring Guide	1	37	80237	Spring	1
5	80205	Valve Stem	1	22	80222	Internal Gear	1	38	80238	Washer	1
6	80206	Reverse Bushing	1	23	80223	Planet Gear	3	39	80239	Adjust Nut	1
7	80207	O-Ring	1*	24	80224	Pin	3	40	80240	Spacer	1
8	80208	Valve Spring	1*	25	80225	Spacer	3	41	80241	Clutch Housing	1
9	80209	O-Ring	1*	26	80226	Work Spindle	1	42	80242	Ball Retainer	1
10	80210	Reverse Lever	1	27	80227	Ball Bearing	1	43	80243	Spring	1*
11	80211	Motor Gasket	1*	28	80228	Clamp Nut	1	44	80244	Washer	1
13	80213	Ball Bearing	2	29	80229	Drive Dog	1	46	80246	Set Screw	1
14	80214	End Plate	2	30	80230	Retaining Ring	1*	47	80247	O-Ring	1*
15	80215	Rotor	1	31	80231	Retaining Ring	1	48	80248	Exhaust Diffuser	1
16	80216	Rotor Blade	5*	32	80232	Cam Spindle	1	49	80249	Screw	2
17	80217	Pin	1	33	80233	Steel Ball	1				

TECHNICAL DATA

	Max Air Pressure	Recommended Air Hose Size	RPM Free Speed	Max Air Flow CFM	Weight (lbs.)
1102 (Formerly 2005)	90 psi	3/8"	1,800	16	2.6

FOOTNOTES

* Parts Available In Repair Kit 2005 -RK*

EAGLE

10000 SE Pine Street
Portland, OR 97216
503-254-6600
FAX 503-255-2615

When ordering spare parts, please specify tool type, part number and description.

REVISED 7/99