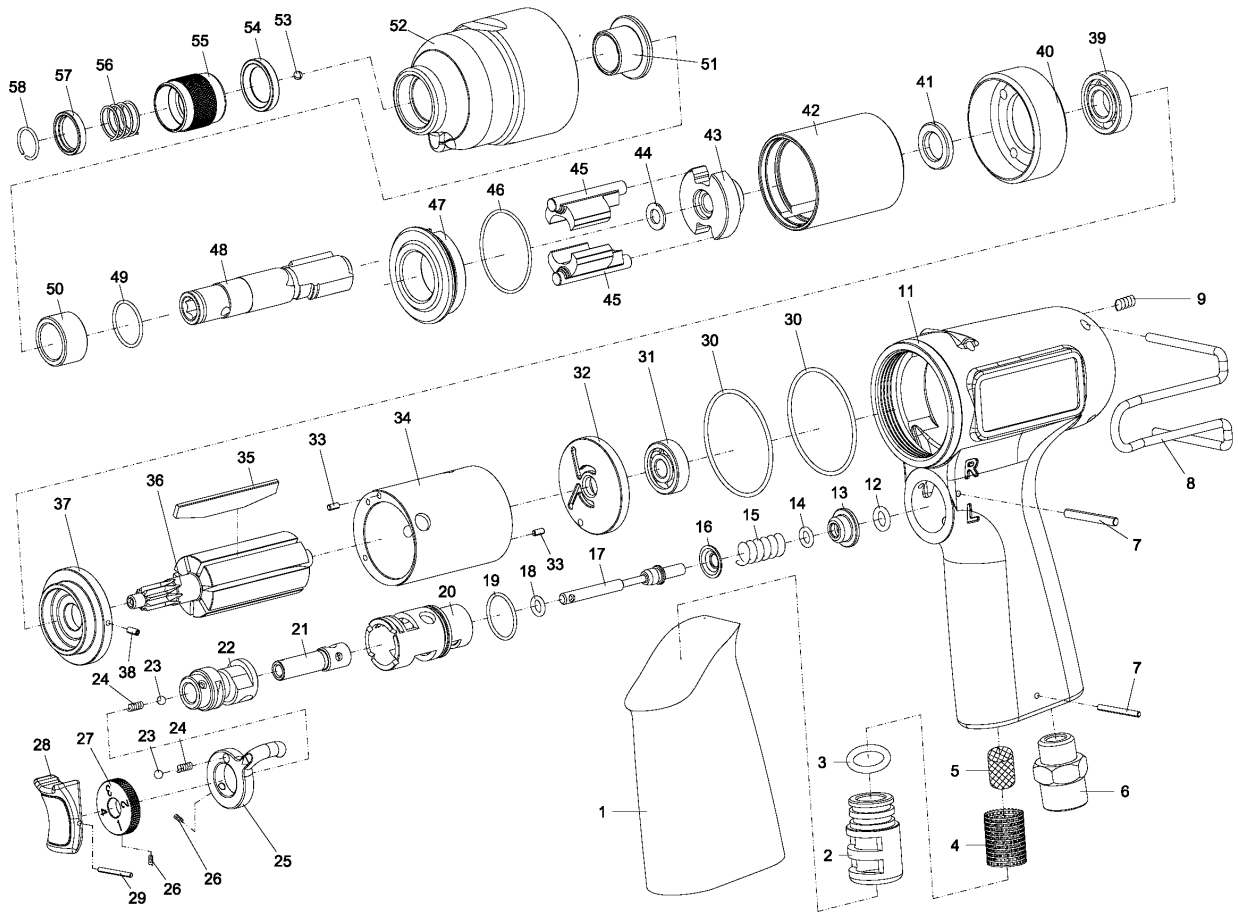


1577 AIR SCREWDRIVER

EXPLODED VIEW



PARTS LIST — FOR REFERENCE ONLY

Index Number	Part Number	Description	Qty.	Index Number	Part Number	Description	Qty.	Index Number	Part Number	Description	Qty.
1	589057-BK	Grip Sleeve	1	16	589005	Spring Spacer	1	37	589019	Front Plate	1
2	589012M	Exhaust Deflector	1	17	589003	Throttle Valve	1	38	589040	Spring Pin	1
3	589058	O-Ring	1	20	589010	Reverse Valve Bushing	1	40	589022	Clutch Housing Adapter	1
4	589014M	Filter	1	21	589007	Control Valve	1	41	589029	Thrust Plate	1
5	389507	Silencer	1	22	589009	Reverse Valve	1	42	589024	Hammer Cage	1
6	589002-1	Air Inlet	1	25	589011M	Reverse Valve Lever	1	43	589023	Cam	1
7	589037	Pin	2	26	HEXM306	Set Screw	2	44	589030	Thrust Washer	1
8	589034	Hook	1	27	589008	Control Valve Knob	1	45	589025	Hammer Dog	2
9	589036	Set Screw	1	28	589006M	Trigger	1	46	589053	O-Ring	1
11	589001M	Motor Housing	1	29	589039	Spring Pin	1	47	589027	Hammer Cage Cap	1
	1577-TK	Parts available in kit only	1		1577-RK	Parts available in kit only	1	48	589026-A	Anvil (depth 22 mm)	1
12		O-Ring	1	30		O-Ring	2	49	OR7718	O-Ring	1
14		O-Ring	1	31		Ball Bearing 1577	1	50	589028	2nd Bushing	1
15		Spring	1	35		Blade	7	51	589021	Anvil Busing	1
18		O-Ring	1	39		Ball Bearing 1577	1	52	589020M	Hammer Case	1
19		O-Ring	1	32	589015	Rear Plate	1	53	589046	Steel Ball	1
23		Steel Ball	2	33	SPP0208	Spring Pin	2	54	589056	Oil Seal	1
24		Spring	2	34	589016	Cylinder	1	55	589031M	Bit Retainer Sleeve	1
13	589004	Throttle Valve Bushing	1	36	589017	Rotor	1	56	589043	Spring	1
								57	589032	Bit Washer	1
								58	589033	Bit Ring	1

EAGLE GROUP
A Division of AIMCO

10000 SE PINE
PORTLAND, OR 97216
503-254-6600
FAX 503-255-2615

When ordering spare parts, please specify tool type, part number, and description

FOOTNOTES