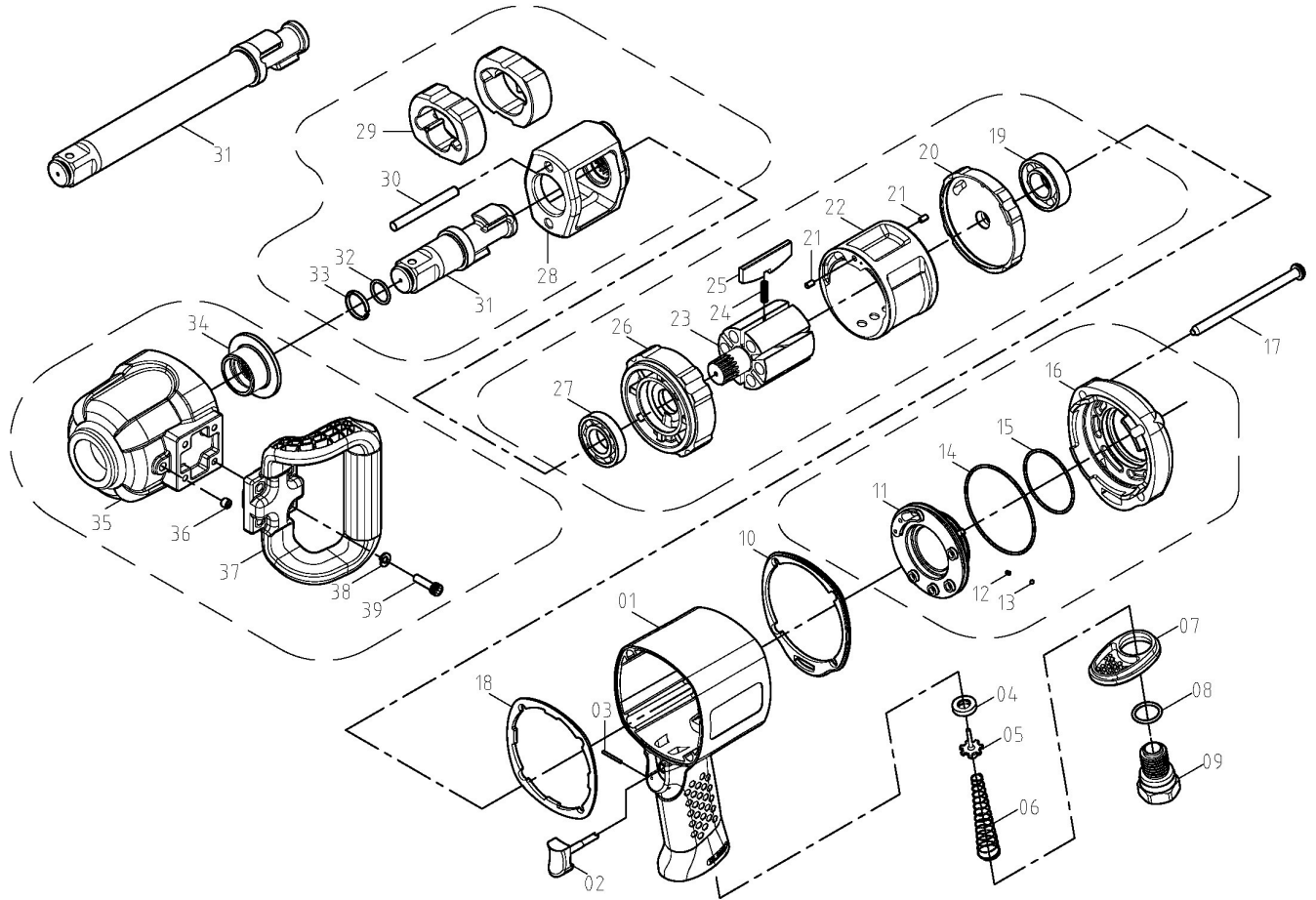


2P-15501 1" IMPACT WRENCH

EXPLODED VIEW



PARTS LIST — FOR REFERENCE ONLY

Index Number	Part Number	Description	Qty.	Index Number	Part Number	Description	Qty.	Index Number	Part Number	Description	Qty.
1	001011200	Housing	1	29	022011200	Hammer	2	15		O-Ring	1
2	030011200-2	Trigger	1	30	023011200	Hammer Pin	2	32		O-Ring	1
3	SP2022	Spring Pin	1	31A	025011200	2" Anvil	1	33		Anvil Collar	1
7	004011200	Exhaust Deflector	1	31B	025021200	6" Anvil	1		2P-15501-RK	Repair Kit (parts available in kit only)	1
9	005011200	Air Inlet (1/2" npt)	1	34	026011200	Bushing	1	14		O-Ring	1
10	061021200-2	Packing	1	35	027011200-2	Front Casing	1	15		O-Ring	1
11	031011200-2	Reverse Lever	1	36	SC7 1/16	Pipe Plug	1	19		Ball Bearing 6002zz	1
12	007021027	Spring	1	37	076011200	Handle	1	24		Spring	6
13	SB1/8	Steel Ball	1	38	SW206	Washer	4	25		Blade	6
16	071011200	Cover	1	39	SC10620	Screw	4	27		Ball Bearing BRR14	1
17	049011200	Screw	4		2P-15501-TK	Tune-Up Kit (parts available in kit only)	1				
18	061011200-2	Packing	1	4		Oil Seal	1				
20	011011200	Rear Plate	1	5		Pin Valve Rod	1				
21	SP4008	Spring Pin	2	6		Cone Spring	1				
22	012011200	Cylinder	1	8		O-Ring	1				
23	013011200	Rotor	1	14		O-Ring	1				
26	015011200	Front Plate	1								
28	020011200	Hammer Cage	1								

FOOTNOTES



10000 SE PINE
PORTLAND, OR 97216
503-254-6600
FAX 503-255-2615

When ordering spare parts, please specify
tool type, part number, and description