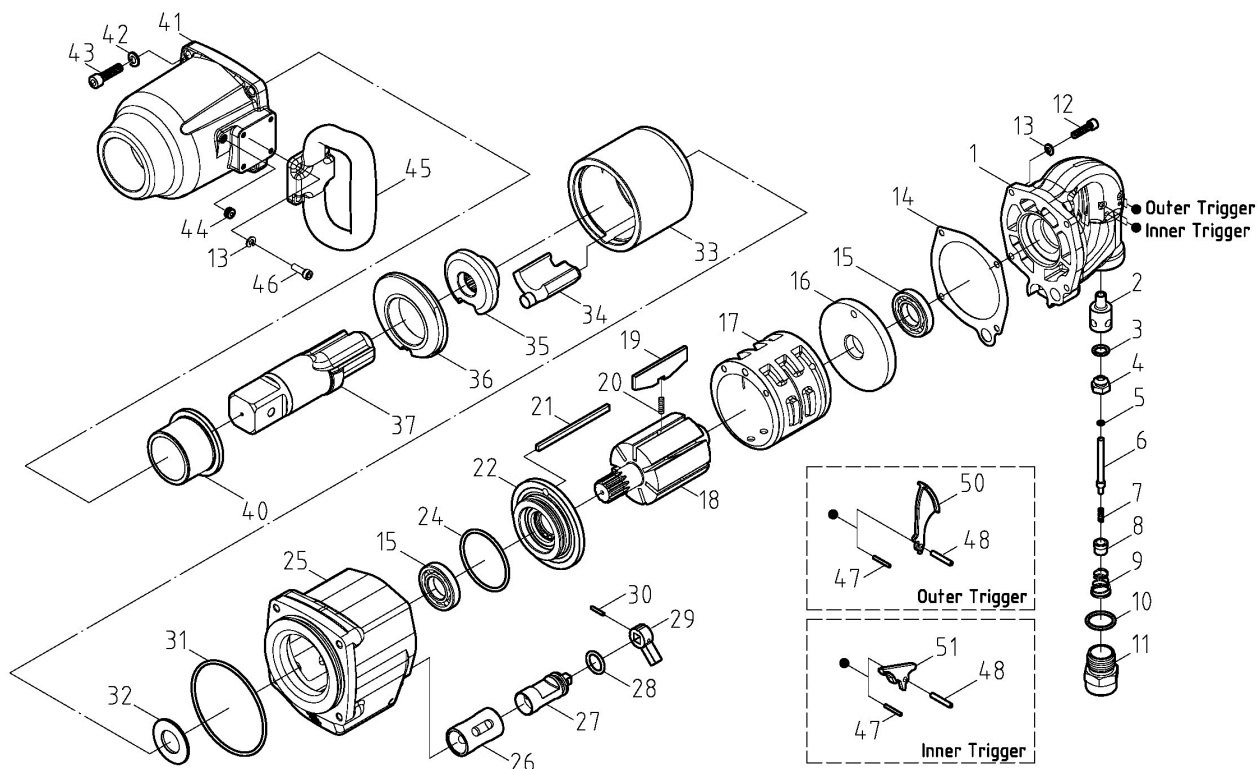


2S-290015 LIGHTWEIGHT HEAVY DUTY IMPACT WRENCH

EXPLODED VIEW



PARTS LIST — FOR REFERENCE ONLY

Index Number	Part Number	Description	Qty.	Index Number	Part Number	Description	Qty.	Index Number	Part Number	Description	Qty.	
1	064021075	Handle body	1	34	022011075	Hammer	1	2S-290015-TK Tune-Up Kit (parts available in kit only) 1				
2	009011075	Reverse Valve	1	35	021011075	Hammer Cam	1	3		O-Ring	1	
4	009041038	Reverse Valve	1	36	024011075	Anvil Front Spacer	1	5		O-Ring	1	
6	010011075	Pin Valve Rod	1	37	025011076	Anvil	1	7		Spring	1	
8	009031038	Reverse Valve	1		025021076	Anvil (6")	1	9		Cone Spring	1	
11	005011038	Air Inlet, 1/2" - 14 NPT	1	40	026021076	Bushing	1	10		O-Ring	1	
	005011038-2	Air Inlet, 1/2" - 14 PT	1	41	027031075	Front Casing	1	28		O-Ring	1	
12	SC10625	Screw	4	42	SW208	Spring Washer	4	2S-290015-RK Repair Kit (parts available in kit only) 1				
13	SW206	Spring Washer	8	43	SC10830	Screw	4	14		Packing	1	
16	011021075	Rear Plate	1	44	SC7 1/8	Pipe Plug, 1/8" - 27 NPT	1	15		Ball Bearing 6205zz	2	
17	012011075	Cylinder	1	45	076011038-2	Handle	1	19		Blade 6205zz	7	
18	013021075	Rotor	1	46	SC10620	Screw	4	20		Spring	7	
21	081011026	Key	1					31		O-Ring	15	
22	015021075	Front Plate	1					<hr/>				
24	ORAS230	O-Ring	1					Outer Trigger				
25	001011075	Housing	1	47	SP3026	Spring Pin	1	47	SP3026	Spring Pin	1	
26	008011026	Valve Bushing	1	48	SP4828	Spring Pin	1	48	SP4828	Spring Pin	1	
27	009011026	Reverse Valve	1	50	030021075	Trigger	1	50	030021075	Trigger	1	
29	031011026	Reverse Lever	1					Inner Trigger				
30	SP3018	Spring Pin	1	47	SP3026	Spring Pin	1	47	SP3026	Spring Pin	1	
32	019011026	Anvil Rear Spacer	1	48	SP4828	Spring Pin	1	48	SP4828	Spring Pin	1	
33	020011075	Hammer Cage	1	51	030011026	Trigger	1	51	030011026	Trigger	1	

FOOTNOTES

EAGLE GROUP
A Division of AIMCO

1000 SE PINE
PORTLAND, OR 97216
503-254-6600
FAX 503-255-2615

When ordering spare parts, please specify
tool type, part number, and description