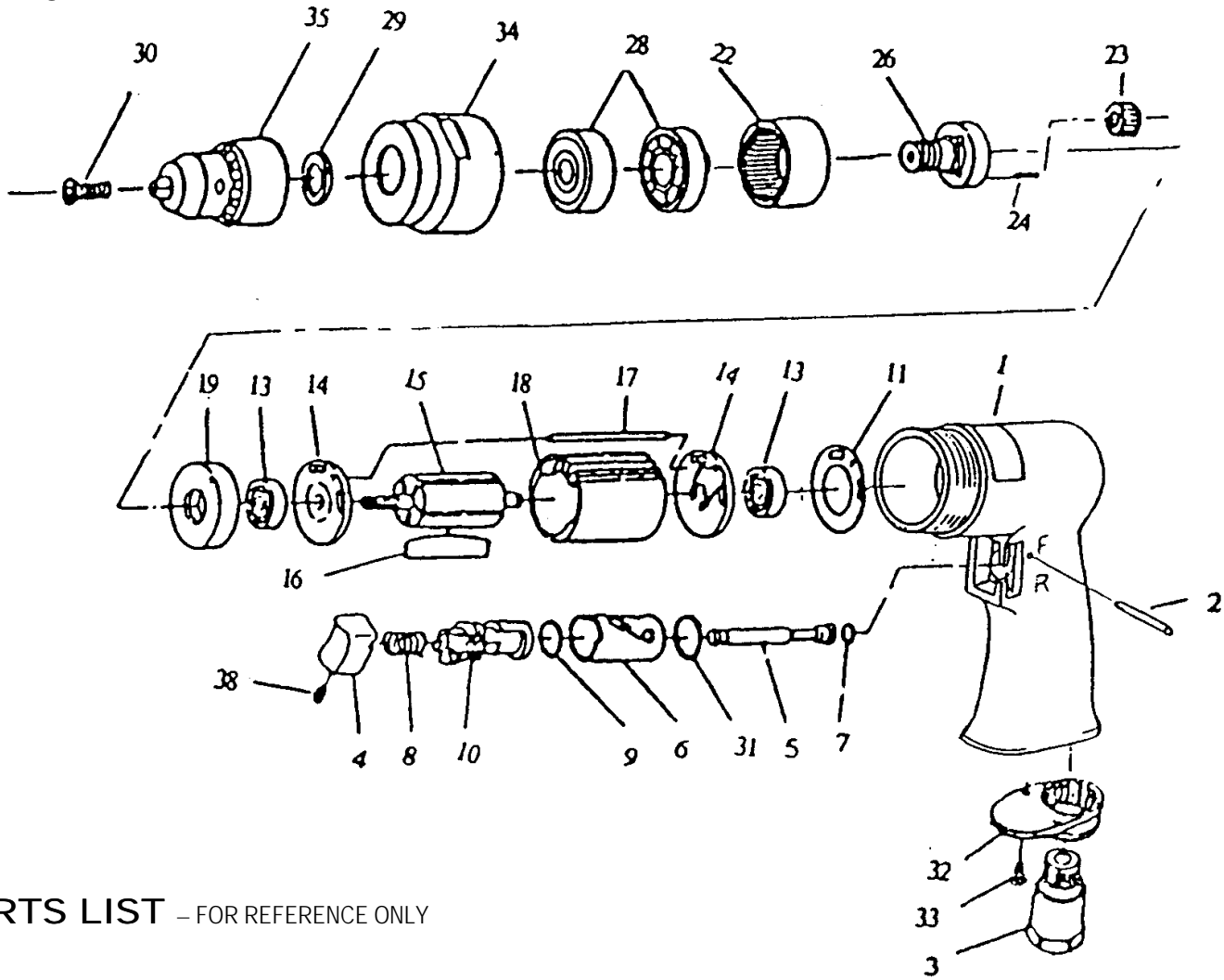


3002A 3/8" REVERSIBLE DRILL

EXPLODED VIEW



PARTS LIST – FOR REFERENCE ONLY

Index Number	Part Number	Description	Qty.	Index Number	Part Number	Description	Qty.	Index Number	Part Number	Description	Qty.
1	SM-72501	Motor Housing	1	13	SM-72512	Ball Bearing	2*	26	SM-72526	Work Spindle	1
2	SM-72502	Pin	1	14	SM-72514	End Plate	2	28	SM-72528	Ball Bearing	2*
3	SM-72503	Air Inlet	1	15	SM-72515	Rotor	1	29	SM-72529	Chuck Spacer	1
4	SM-72504	Trigger	1	16	SM-72516	Rotor Blade	5*	30	SM-72530	Chuck Screw	1
5	SM-72505	Valve Stem	1	17	SM-72517	Pin	1	31	SM-72531	O-Ring	1*
6	SM-72506	Reverse Bushing	1	18	SM-72518	Cylinder	1	32	SM-72532	Exhaust Diffuser	1
7	SM-72507	O-Ring	1*	19	SM-72519	Spacer	1	33	SM-72533	Screw	2
8	SM-72508	Valve Spring	1*	22	SM-72522	Internal Gear	1	34	SM-72534	Clamp Nut	1
9	SM-72509	O-Ring	1*	23	SM-72523	Planet Gear	3	35	SM-72535	3/8" Chuck	1
10	SM-72510	Reverse Lever	1	24	SM-72524	Pin	3	38	SM-72538	Set Screw	1
11	SM-72511	Motor Gasket	1*								

TECHNICAL DATA

	Max Air Pressure	Recommended Air Hose Size	RPM Free Speed	Max Air Flow CFM	Weight (lbs.)
3002A	90 psi	3/8"	1,800	16	2.5

FOOTNOTES

* Parts Available In Repair Kit 3002A-RK*



When ordering spare parts, please specify tool type, part number and description

10000 SE PINE, PORTLAND, OR 97216
503-254-1749 FAX 503-256-4026

REVISED 7/99