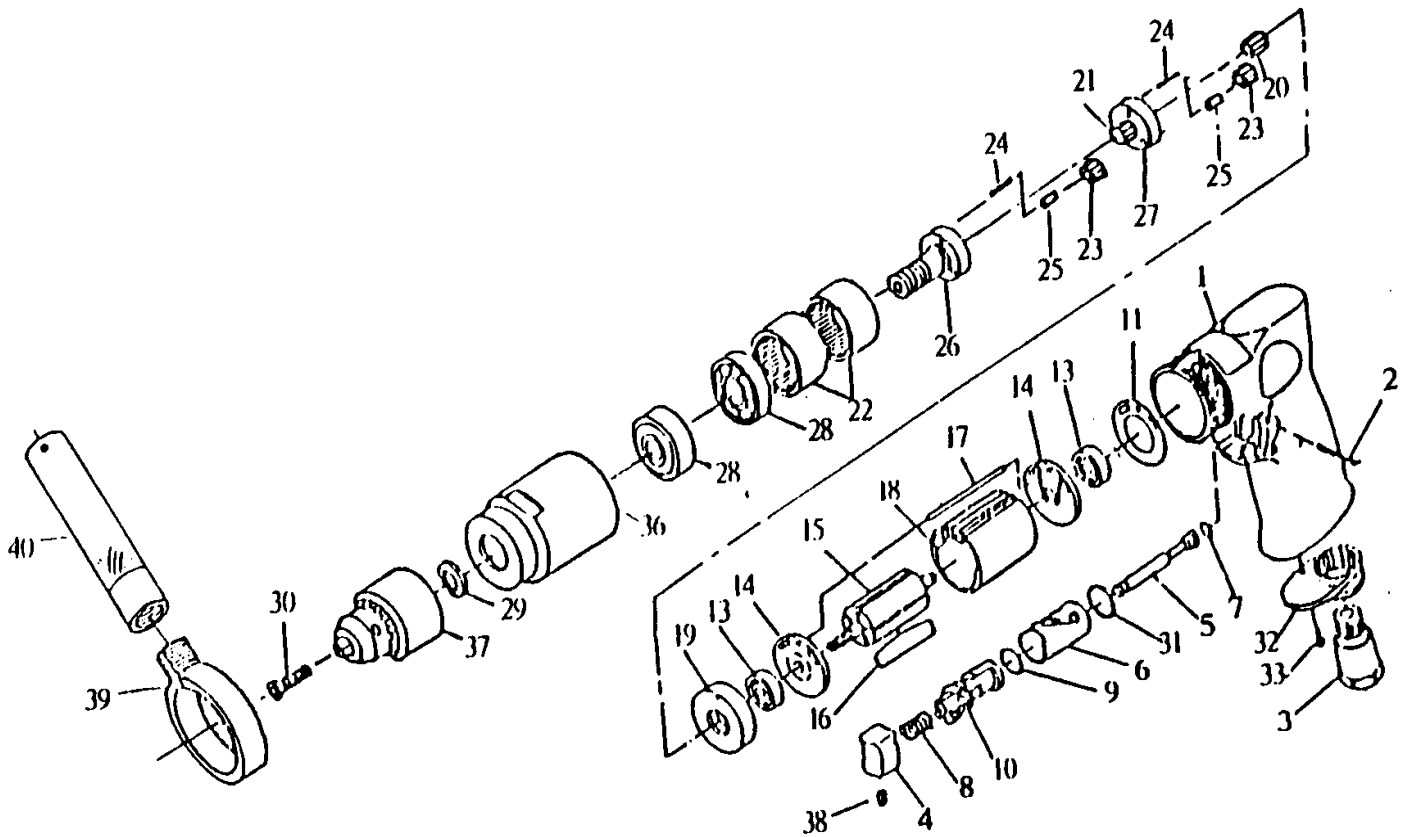


# 3006 1/2" REVERSIBLE DRILL

## EXPLODED VIEW



## PARTS LIST – FOR REFERENCE ONLY

Index Number	Part Number	Description	Qty.	Index Number	Part Number	Description	Qty.	Index Number	Part Number	Description	Qty.
1	SM-70401	Motor Housing	1	15	SM-70415	Rotor	1	27	SM-70427	Reduction Spindle	1
2	SM-70402	Pin	1	16	SM-70416	Rotor Blades	5*	28	SM-70428	Ball Bearing	2
3	SM-70403	Air Inlet	1	17	SM-70417	Pin	1	29	SM-70429	Chuck Spacer	1
4	SM-70404	Trigger	1	18	SM-70418	Cylinder	1	30	SM-70430	Chuck Screw	1
5	SM-70405	Valve Stem	1	19	SM-70419	Spacer	1	31	SM-70431	O-Ring	1
6	SM-70406	Reverse Bushing	1	20	SM-70420	Pinion Gear	1	32	SM-70432	Exhaust Diffuser	1
7	SM-70407	O-Ring	1*	21	SM-70421	Center Gear	1	33	SM-70433	Screw	2
8	SM-70408	Valve Spring	1*	22	SM-70422	Internal Gear	2	36	SM-70436	Clamp Nut	1
9	SM-70409	O-Ring	1*	23	SM-70423	Planet Gear	6	37	SM-70437	Drill Chuck (1/2")	1
10	SM-70410	Reverse Lever	1	24	SM-70424	Pin	6	38	SM-70438	Set Screw	1
11	SM-70411	Motor Gasket	1*	25	SM-70425	Bushing	6	39	SM-70439	Retainer	1
13	SM-70413	Ball Bearing	2*	26	SM-70426	Work Spindle	1	40	SM-70440	Handle	1
14	SM-70414	End Plate	2								

### TECHNICAL DATA

	Max Air Pressure	Recommended Air Hose Size	RPM Free Speed	Max Air Flow CFM	Weight (lbs.)
3006	90 psi	3/8"	800	20	4.0

### FOOTNOTES

\* Parts Available in Repair Kit 3006-RK\*



When ordering spare parts, please specify tool type, part number and description

10000 SE PINE, PORTLAND, OR 97216  
503-254-1749 FAX 503-256-4026

REVISED 7/99