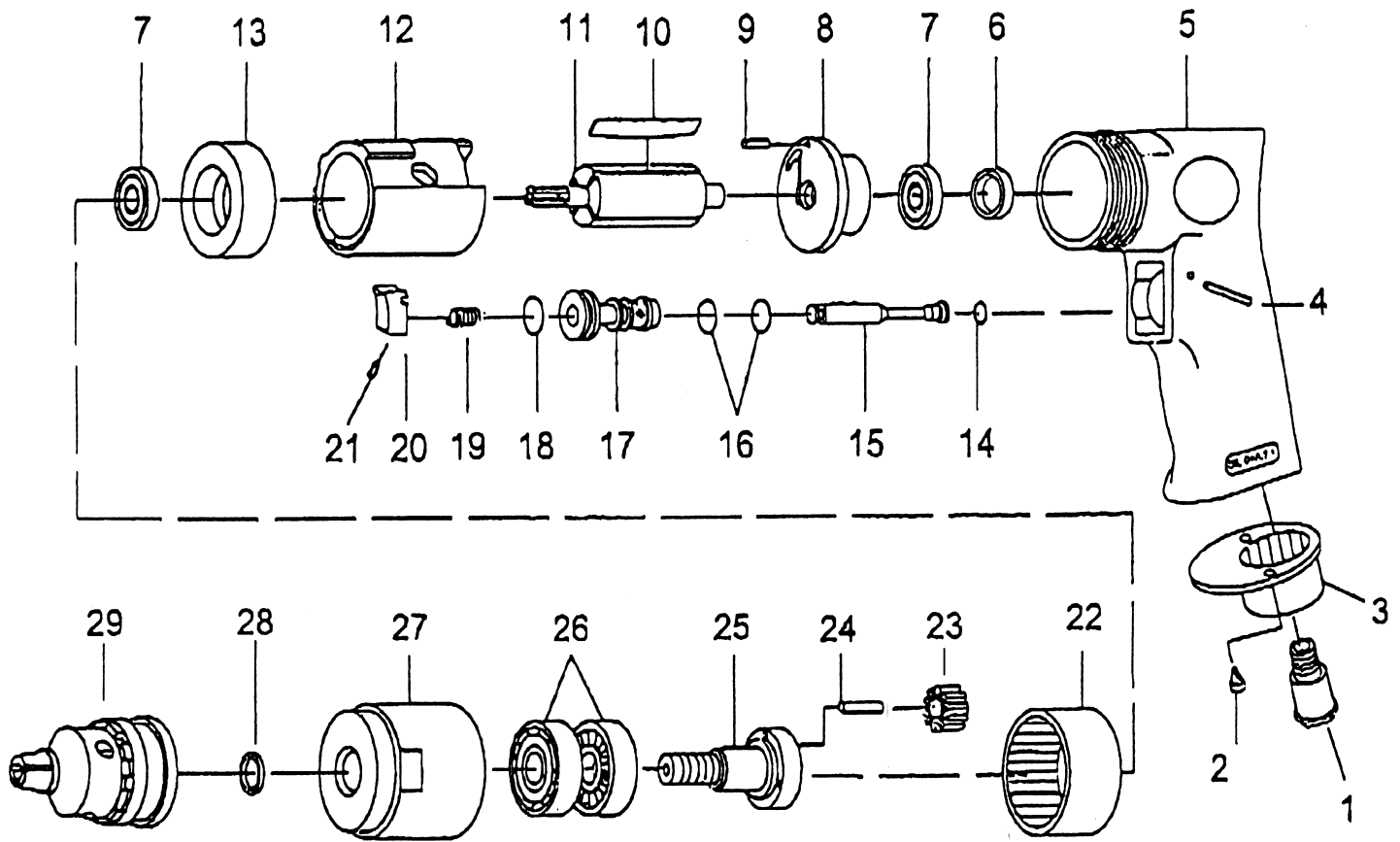


# 3007 3/8" DRILL

## EXPLODED VIEW ONLY



## PARTS LIST – FOR REFERENCE ONLY

Index Number	Part Number	Description	Qty.	Index Number	Part Number	Description	Qty.	Index Number	Part Number	Description	Qty.
1	70103	Air Inlet	1	11	70615	Rotor	1	21	70935	Set Screw	1
2	40309	Screw 2	2	12	70118	Cylinder	1	22	80222	Internal Gear	3
3	70110	Exhaust Diffuser	1	13	70619	Front End Plate	1	23	80223	Planet Gear	3
4	70102	Spring Pin	1	14	70107	O-Ring	1	24	30124	Pin	3
5	70601	Motor Housing	1	15	70105	Valve Stem	1	25	70626	Work Spindle	1
6	30111	Cap	1	16	70109	O-Ring	1*	26	80227	Ball Bearing	2
7	30113	Ball Bearing	2*	17	70106	Valve Bushing	1	27	70630	Clamp Nut	1
8	70614	Rear End Plate	1	18	70123	O-Ring	1*	28	70133	Chuck Spacer	1
9	70117	Spring Pin	1	19	70108	Valve Spring	1	29	10035	Drill Chuck and Key	1
10	70616	Rotor Blades	4*	20	70104	trigger	1				

### TECHNICAL DATA

	Max Air Pressure	Recommended Air Hose	RPM	Max Air Flow (CFM)	Weight (lbs.)
3007	85	3/8"	2,600	16	4

### FOOTNOTES

\* Parts Available in 3007-RK\*



When ordering spare parts, please specify tool type, part number and description

10000 SE PINE, PORTLAND, OR 97216  
503-254-1749 FAX 503-256-4026

REVISED 11/00