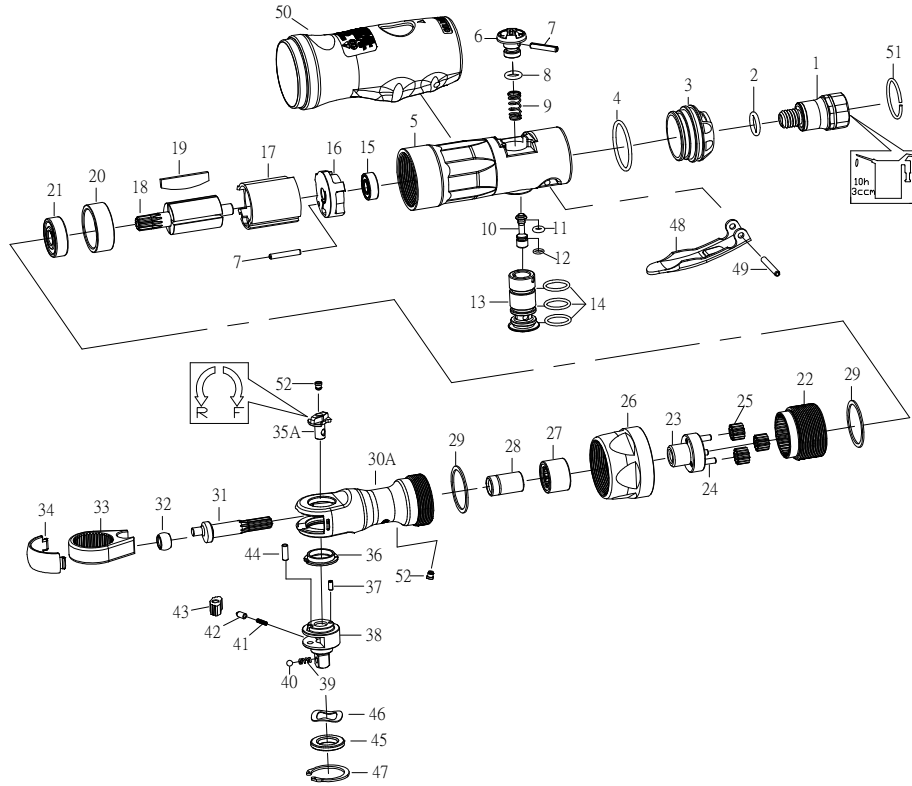


# 3120 1/4" SUPER DUTY RATCHET WRENCH

## EXPLODED VIEW



## PARTS LIST — FOR REFERENCE ONLY

Index Number	Part Number	Description	Qty	Index Number	Part Number	Description	Qty.
1	3120-1	Air Inlet	1	30A	3120-30A	Ratchet Housing Assembly ( incl.52 )	1 ■
2	3120-2	O-Ring	1	31	3120-31	Crank shaft	1
3	3120-3	Exhaust Deflector	1	32	3120-32	Drive Bushing	1
4	3120-4	O-Ring	1	33	3120-33	Ratchet Yoke	1
5	3120-5	Motor Housing	1	34	3120-34	Ratchet Housing Cover	1
6	3120-6	Air Regulator	1	35A	3120-35	Reverse Knob Assembly ( incl.52 )	1 ■
7	3120-7	Spring Pin	2	36	3120-36	Thrust Washer	1
8	3120-8	O-Ring	1	37	3120-37	Spring Pin	1
9	3120-9	Spring	1	38	3120-38	Ratchet Anvil Assembly (incl 39.40)	1 ■
10	3120-10	Throttle Valve Plunger	1	39	3120-39	Spring	1 ●
11	3120-11	O-Ring	1	40	3120-40	Steel Ball	1 ●
12	3120-12	O-Ring	1	41	3120-41	Ratchet Spring	1
13	3120-13	Power Regulator	1	42	3120-42	Ratchet Lock Pin	1
14	3120-14	O-Ring	3	43	3120-43	Ratchet Pawl	1
15	3120-15	Ball Bearing	1	44	3120-44	Pawl Retaining Pin	1
16	3120-16	Rear End Plate	1	45	3120-45	Thrust Washer	1
17	3120-17	Cylinder	1	46	3120-46	Wave Washer	1
18	3120-18	Rotor	1	47	3120-47	Retaining Ring	1
19	3120-19	Rotor Blade	4	48	3120-48	Trigger	1
20	3120-20	Front End Plate	1	49	3120-49	Trigger Pin	1
21	3120-21	Ball Bearing	1	50	3120-50	Rubber Grip	1
22	3120-22	Ring Gear	1	51	3120-51	Retainer	1
23	3120-23	Work Spindle Assembly { incl.24 ( 3 ) }	1 ■	52	3120-52	Grease Fitting	2 ●
24	3120-24	Pin	3 ●				
25	3120-25	Planet Gear	3				
26	3120-26	Coupling Nut	1	TK	Tune-Up Kit {2.4.8.9.11.12.14 ( 3 ) }		
27	3120-27	Needle Bearing	1				
28	3120-28	Bushing	1				
29	3120-29	Spacer	2				

### FOOTNOTES

- Must be Purchased in Assembly Set
- Recommended not to be purchased alone due to assembly difficulty

**10000 SE Pine Street  
Portland, OR 97216  
503-254-6600  
FAX 503-255-2615**

**When ordering spare parts, please specify  
tool type, part number and description.**

REVISED 11/11