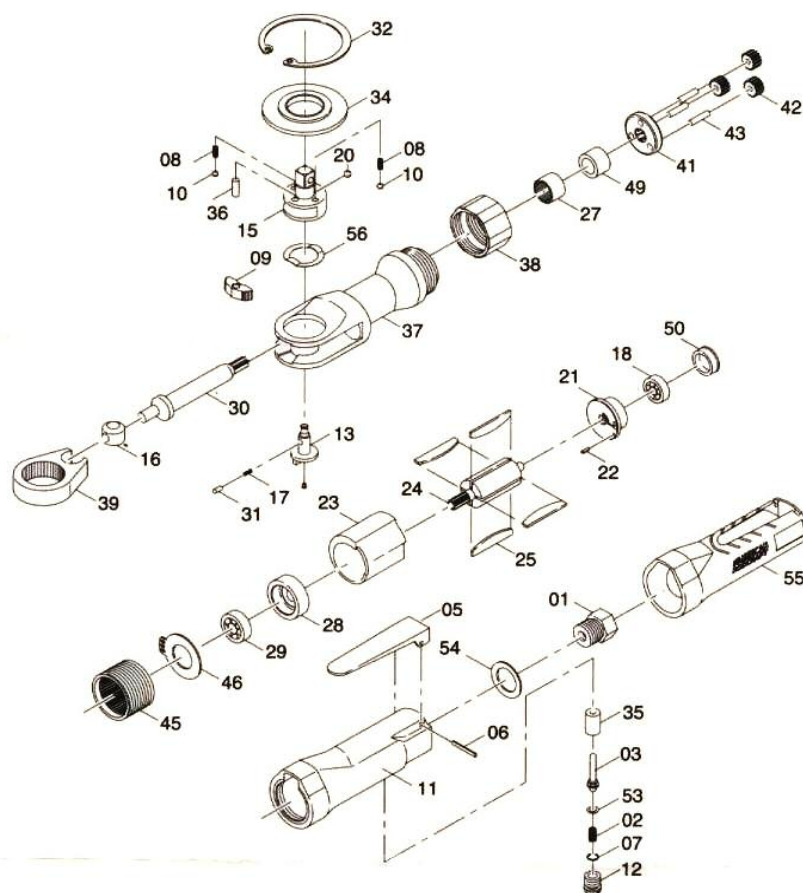


# 3205 3/8" RATCHET WRENCH

## EXPLODED VIEW



## PARTS LIST — FOR REFERENCE ONLY

Index Number	Part Number	Description	Qty.	Index Number	Part Number	Description	Qty.	Index Number	Part Number	Description	Qty.
1	AR-38M01	Air inlet bushing	1	25	AR-38025	Rotor blade	4	55	AR-38M55-RC	Grip	1
2	AR-38002	Throttle sprng	1	27	AR-38027A	Needle bearing	1	56	AR-38056	Washer	1
3	AR-38003	Valve stem	1	28	AR-38028	Front end plate	1	57	AR-38K02	Valve kit incl.2,3,7,12,53	
5	AR-38M05-T	Throttle lever	1	29	BB-06082A	Ball bearing	1	58	AR-38DK03	Idler gear kit Inc.41,42(3),43(3)	
6	SP-25220	Spring pin	1	30	AR-38A30	Crank shaft	1	59	AR-38MK01	Throttle handle kit Incl.1,11,35,54	
7	ORP-0080	R-ring	1	31	AR-38F42	Spring cap	1	60	AR-38MK04	Ratchet housing kit Incl.27,37,49	
8	AR-38008	Frictin spring	2	32	RTW-029	Internal stop ring	1	61	AR-38MK05-RC	Ratchet Head kit Incl.8(2),9,10(2),13,15,17, 20,31,32,34,36,56	
9	AR-38C09	Pawl	1	34	AR-38D34	Thrust washer	1		Repair kit	Incl.2,6,7,8(2),9,10(2),15,17,20	
10	SB-005	Steel ball	2	35	AR-38035	Throttle valve	1		Tune up kit	Incl.2,6,7,8(2),9,10(2),17,20, 25(4),31,53	
11	AR-38M11	Throttle handle	1	36	NR-45130	Needle roller	1				
12	AR-38012	Throttle valve plug	1	37	AR-38M37	Ratchet housing	1				
13	AR-39N13K	Reverse button (w/grease fitting)	1	38	AR-38M38	Clamp nut	1				
15	HR-38M41	Ratchet anvil	1	39	AR-38M39	Ratchet yoke	1				
16	AR-38C16	Drive bushing	1	41	AR-38D41	Idler spindle	1				
17	AR-38F41	Ratchet spring	1	42	AR-38D42	Idler gear	3				
18	BB-06262A	Ball bearing	1	43	NR-40170	Needle roller	3				
20	SB-006	Steel ball	1	45	AR-38D45	Internal gear	1				
21	AR-38021	Rear end plate	1	46	AR-12T46	Exhaust cover	1				
22	SP-20060	Spring pin	1	49	AR-38049	Bushing	1				
23	AR-38023	Cylinder	1	50	AR-38050	Bearing cap	1				
24	AR-38M24	Rotor	1	53	ORP-0040	O-ring	1				
				54	AR-38M54	Spacer washer	1				

### FOOTNOTES

**EAGLE**

10000 SE Pine Street  
Portland, OR 97216  
503-254-6600  
FAX 503-255-2615

When ordering spare parts, please specify  
tool type, part number and description.