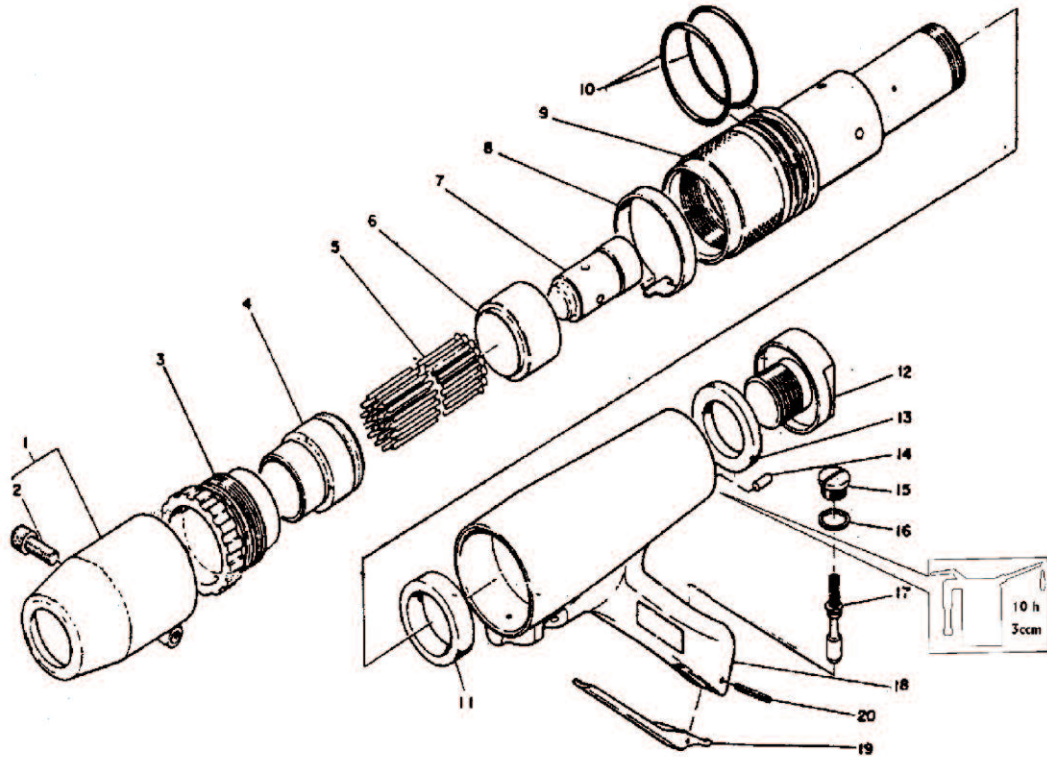


4620 NEEDLE SCALER

EXPLODED VIEW



PARTS LIST — FOR REFERENCE ONLY

Index Number	Part Number	Description	Qty	Index Number	Part Number	Description	Qty.
1	rc5620a-01	Round Needle Guide Ass'y	1				
2	rc5620a-02	Hexagon Socket Head Bolt 8x	1				
3	rc5620a-03	Stop Ring	1				
4	rc5620a-04tk	Needle Supporter	1				
5	rc5620a-05	Needle 3x180mm	28				
6	rc5620a-06tk	Throttle Anvil	1				
7	rc5620a-07	Piston	1				
8	rc5620a-08	Safety Band	1				
9	rc5620a-09	Cylinder	1				
10	rc5620a-10	O-Ring W-4	2				
11	rc5620a-11	Front Washer	1				
12	rc5620a-12	Rear Bolt Ass'y	1				
13	rc5620a-13	Rear Washer	1				
14	rc5620a-14	Cylinder Lock Pin	1				
15	rc5620a-15	Valve Cap	1				
16	rc5620a-16tk	Valve Packing	1				
17	rc5620a-17tk	Throttle Valve Ass'y	1				
18	rc5620a-18	Housing Sub Ass'y	1				
19	rc5620a-19	Throttle Lever	1				
20	rc5620a-20	Spring Pin 3x28	1				

FOOTNOTES

EAGLE

10000 SE Pine Street
Portland, OR 97216
503-254-6600
FAX 503-255-2615

When ordering spare parts, please specify
tool type, part number and description.

REVISED 09/07