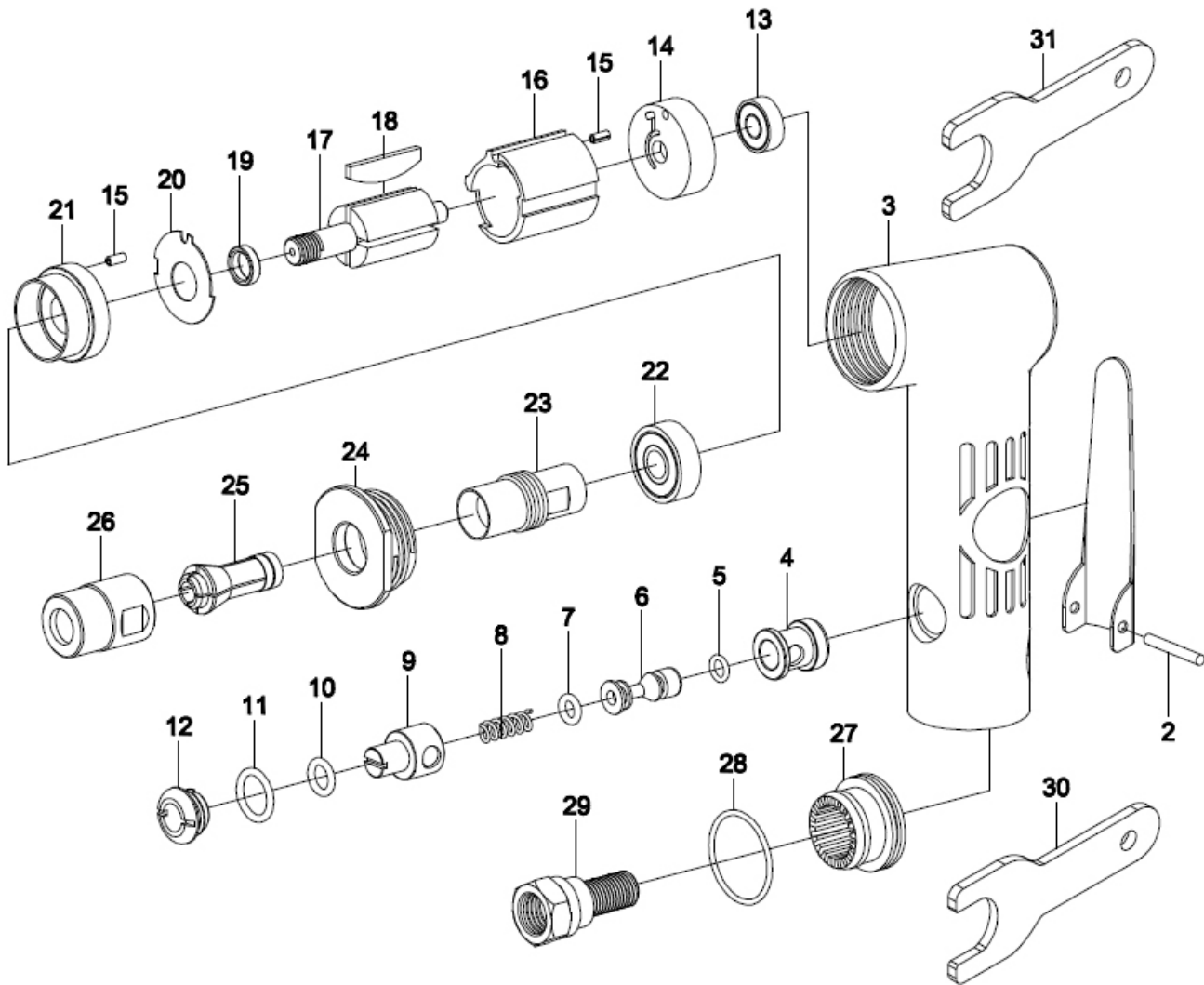


5004C ANGLE DIE GRINDER

EXPLODED VIEW



Index Number	Part Number	Description	Qty.	Index Number	Part Number	Description	Qty.	Index Number	Part Number	Description	Qty.
1	308A001	Throttle Lever	1	14	308A014	End Plate	1	27	308A027	Exhaust Sleeve	1
2	308A002	Spring Pin	1	15	308A015	Pin	2	28	308A028	O-Ring	1
3	308A003	Housing	1	16	308A016	Cylinder	1	29	308A029	Air Inlet	1
4	308A004	Valve Bushing	1	17	308A017	Rotor	1	30	308A030	Wrench (11 mm)	1
5	308A005	O-Ring	1	18	308A018	Blade	4	31	308A031	Wrench (17 mm)	1
6	308A006	Valve Stem	1	19	308A019	Collar	1				
7	308A007	O-Ring	1	20	308A020	Steel Plate	1				
8	308A008	Valve Spring	1	21	308A021	Front Plate	1				
9	308A009	Air Controller	1	22	308A022	Bearing	1				
10	308A010	O-Ring	1	23	308A023	Spindle	1				
11	308A011	O-Ring	1	24	308A024	Lock Ring	1				
12	308A012	Valve Screw	1	25	308A025	Collet	1				
13	308A013	Bearing	1	26	308A026	Collet Nut	1				

FOOTNOTES

EAGLE GROUP
A Division of AIMCO

10000 SE PINE
PORTLAND, OR 97216
503-254-6600
FAX 503-255-2615

When ordering spare parts, please specify
tool type, part number, and description