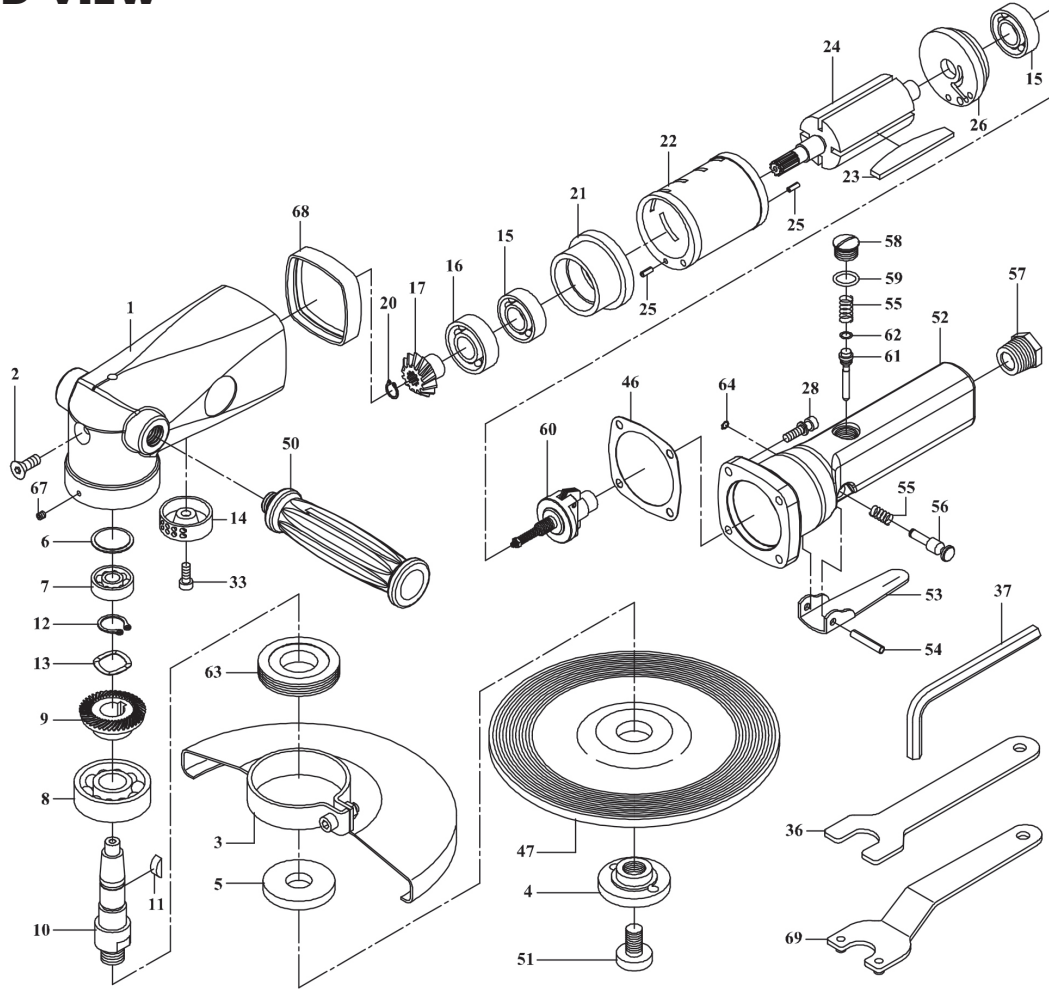


5008 7" ANGLE GRINDER

EXPLODED VIEW



PARTS LIST — FOR REFERENCE ONLY

Index Number	Part Number	Description	Qty.	Index Number	Part Number	Description	Qty.	Index Number	Part Number	Description	Qty.
1	831001	Body	1	20	C9	Retaining Ring	1 ●	54	SP028	Spring Pin	1
2	MT001	Screw	1	21	831021	Front Plate	1	55	S028	Valve Spring	2
3	831003	Disc Cover	1	22	831022	Cylinder	1	56	831056	Safe Lever	1
4	831004	Disc Nut	1 ●	23	831023	Rotor Blade	4 ●	57	831057	Inlet Bushing	1
5	831005	Disc Receiver	1	24	831024	Rotor	1	58	832052	Valve Screw	1
6	831006	Spacer	1	25	SP025	Spring Pin	2	59	OR033	O-Ring	1
7	B629ZZ	Ball Bearing 629ZZ	1	26	831026	Rear Plate	1	60	831H01	Governor Assembly	1 ●
8	B6303ZZ	Ball Bearing 6303ZZ	1	28	CAP016	Cap Screw	4	61	831061	Valve Pin	1
9	831009	Bevel Gear	1 ●	33	CAP017	Screw	1	62	OR034	O-Ring	1 ●
10	831010	Gear Shaft	1	36	829048	Stop Spanner	1	63	831063	Nut	1
11	KR003	Key	1	37	831037	Allen Wrench	1	64	C5	Retaining Ring	1
12	C15	Retaining Ring	1	46	831046	Gasket	1	67	MS006	Screw	1
13	WW15	Spring Washer	1	47	831047	Disc Wheel	1	68	829049	Rubber	1
14	831014	Exhaust Deflector	1	50	829027	Dead Handle	1	69	829047	Disc Spanner	1
15	B6201	Ball Bearing 6201	2	51	831051	Disc Stop Screw	1				
16	B6202ZZ	Ball Bearing 6202ZZ	1	52	831052	Governor Case	1				
17	831017	Bevel Pinion	1 ●	53	831053	Lever	1				

FOOTNOTES

● = Items in Repair Kit 5008-RK

EAGLE GROUP
A Division of AIMCO

10000 SE PINE
PORTLAND, OR 97216
503-254-6600
FAX 503-255-2615

When ordering spare parts, please specify
tool type, part number, and description

REVISED 05/17