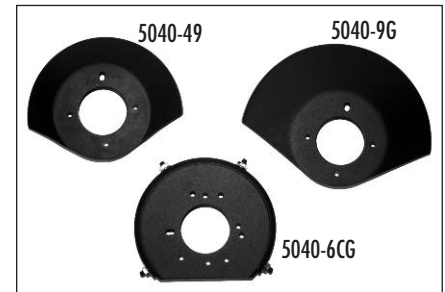
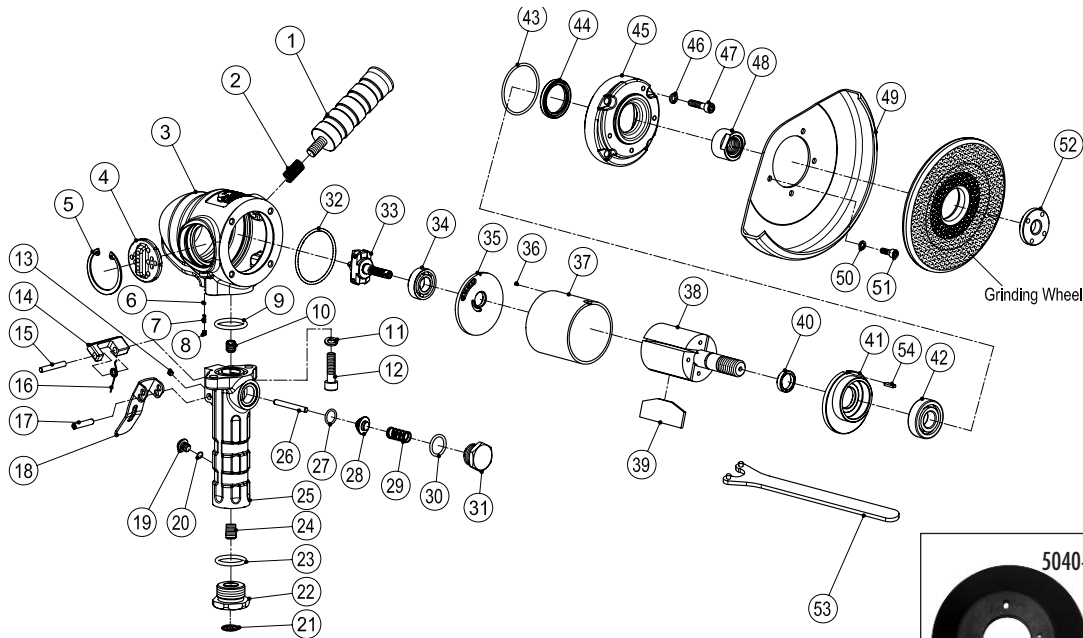


# 5040/5040-6/5040-9 VERTICAL GRINDERS

## EXPLODED VIEW



## PARTS LIST — FOR REFERENCE ONLY

Index Number	Part Number	Description	Qty	Index Number	Part Number	Description	Qty.
1	5040-1	Assist Handle Assy	1	29	5040-29	Throttle Spring	1
2	5040-2	Helicoil Insert M10*1.5D	1	30	5040-30	O-Ring Ø18*2.5	1
3	5040-3	Mtr Housing 3HP	1	31	5040-31	Throttle Valve Cap	1
4	5040-4	Exhaust Deflector	1	32	5040-32	Rear Gasket	1
5	5040-5	Snap Ring 45	1	33	5040-33	Governor Assy	1
6	5040-6	Steel Ball Ø3	1	34	5040-34	Ball Bearing 6002ZZ	1
7	5040-7	Spring	1	35	5040-35	Rear End Plate	1
8	5040-8	Set Screw M4*0.7P*4	1	36	5040-36	Lockout Pin Ø1.5*6	1
9	5040-9	O-Ring Ø28*3	1	37	5040-37	Cylinder	1
10	5040-10	Set Screw NPT1/8-27*7.8	1	38	5040-38	Rotor	1
11	5040-11	Spring Washer 5/16*11.5*2.5	2	39	5040-39	Rotor Blade	4
12	5040-12	Cap Screw 5/16 in.-18 B.S.W.*1"	2	40	5040-40	Rotor Bushing	1
13	5040-13	Screw 10#-32C*1/8	1	41	5040-41	Front End Plate	1
14	5040-14	Lockout	1	42	5040-42	Ball Bearing 6203ZZ	1
15	5040-15	Lockout Pin 06.35*38	1	43	5040-43	O-Ring Ø63.17*2.6	1
16	5040-16	Lockout Spring	1	44	5040-44	Oil Seal TB Ø30*Ø40*5	1
17	5040-17	Spring Pin 1/4" *1"	1	45	5040-45	Housing Cover	1
18	5040-18	Lever	1	46	5040-46	Spring Washer 6	4
19	5040-19	Oiler Plug 3/8 in.-16 B.S.W.*1/2"	1	47	5040-47	Cap Screw M6*25	4
20	5040-20	Throttle Valve Cap Gasket Ø9.25*Ø12.61*1.68	1	48	5040-48	Arbor Nut	1
21	5040-21	Filter Net 1/2	1	49	5040-49	7" Guard Assy. for 5040	1
22	5040-22	Inlet Cap	1		5040-6CG	6" Cup Guard Assy. for 5040-6	1
23	5040-23	O-Ring Ø25*3.53	1		5040-9G	9" Guard Assy. for 5040-9	1
24	5040-24	Oil Regulator Assy	1	50	5040-50	Spring Washer 5	4
25	5040-25	Throttle Handle	1	51	5040-51	CapScrewM5*16	4
26	5040-26	Valve Stem	1	52	5040-52	Collar	1
27	5040-27	O-Ring Ø10.77*2.62	1	53	5040-53	Allen Wrench	1
28	5040-28	Air Closer	1	54	5040-54	Positioning Key	1

### FOOTNOTES



10000 SE Pine Street  
Portland, OR 97216  
503-254-6600  
FAX 503-255-2615

When ordering spare parts, please specify  
tool type, part number and description.