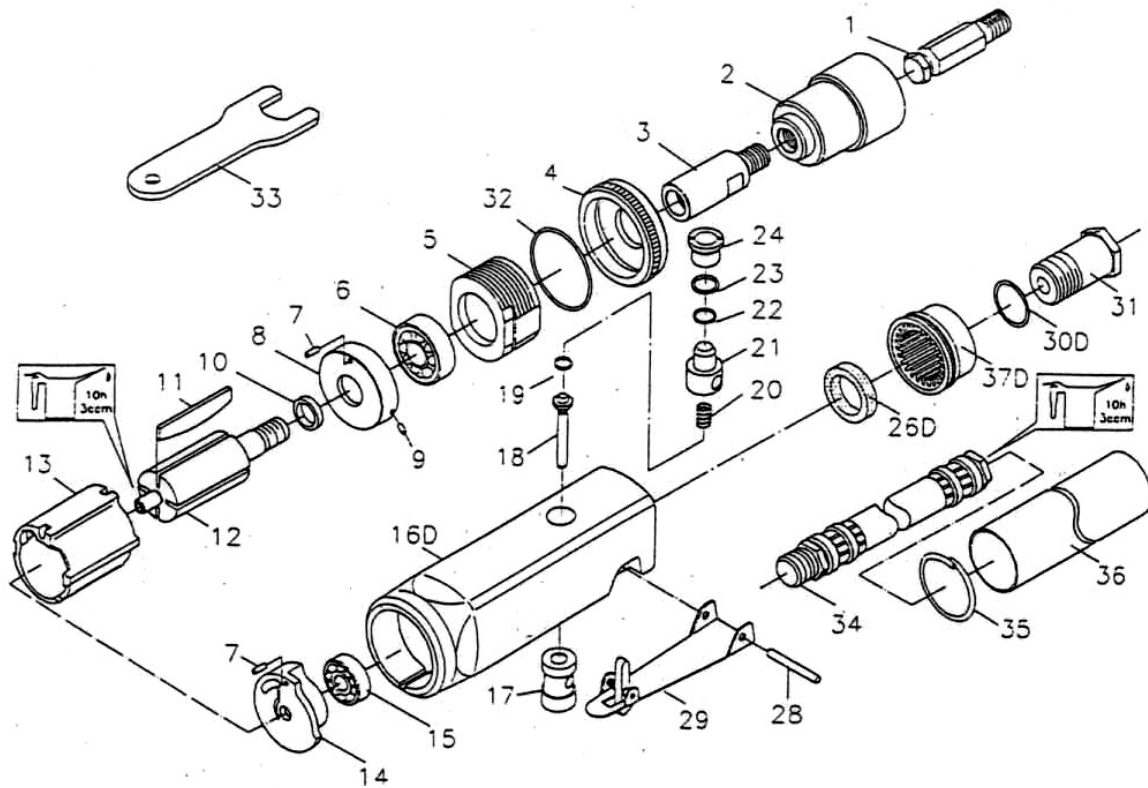


5070/5072 TIRE BUFFER

EXPLODED VIEW



PARTS LIST — FOR REFERENCE ONLY

Index Number	Part Number	Description	Qty.	Index Number	Part Number	Description	Qty.	Index Number	Part Number	Description	Qty.
1	531-027-B	Spindle	1	16	512-025-B	Motor Housing	1	216-034C	Air Inlet (1/4" NPT)		
		Incl.: #411-031 Quick Change	1	17	512-026	Bushing	1	32	00-4135	O-Ring	2
3	515-003-B	Connect Shaft	1	18	512-040	Valve Stem	1	33	513-007	Spanner	1
4	511-004	Housing Cover	1	19	00-4116	O-Ring	1	34	301-031-D	Lead Hose	1
5	511-005	Clamp Nut	1	20	216-029	Spring	1	35	216-035	Snap Ring	1
6	00-2314	Ball Bearing	1	21	512-039	Regulator	1	36	216-036	Exhaust Hose	1
7	00-3325	Spring Pin	2	22	00-4102	O-Ring	1	37	217-042	Hose Adapter	1
8	511-019	Front End Plate	1	23	00-4160	O-Ring (Old#00-4116)	1				
9	00-3328	Spring Pin	1	24B	512-030	Valve Plug	1				
10	511-006	Spacer	1	26	216-038B	Muffer	1				
11	216-021	Rotor Blade	4	28	00-3341	Spring Pin	1				
12	511-020	Rotor	1	29	511-031	Throttle Lever	1				
13	511-022	Cylinder	1	30	00-4151	O-Ring	1				
14	216-023	Rear End Plate	1		216-034A	Air Inlet (1/4" PF)					
15	00-2323	Ball Bearing	1	31	216-034B	Air Inlet (1/4" PT)	1				

FOOTNOTES

EAGLE

10000 SE Pine Street
Portland, OR 97216
503-254-6600
FAX 503-255-2615

When ordering spare parts, please specify
tool type, part number and description.