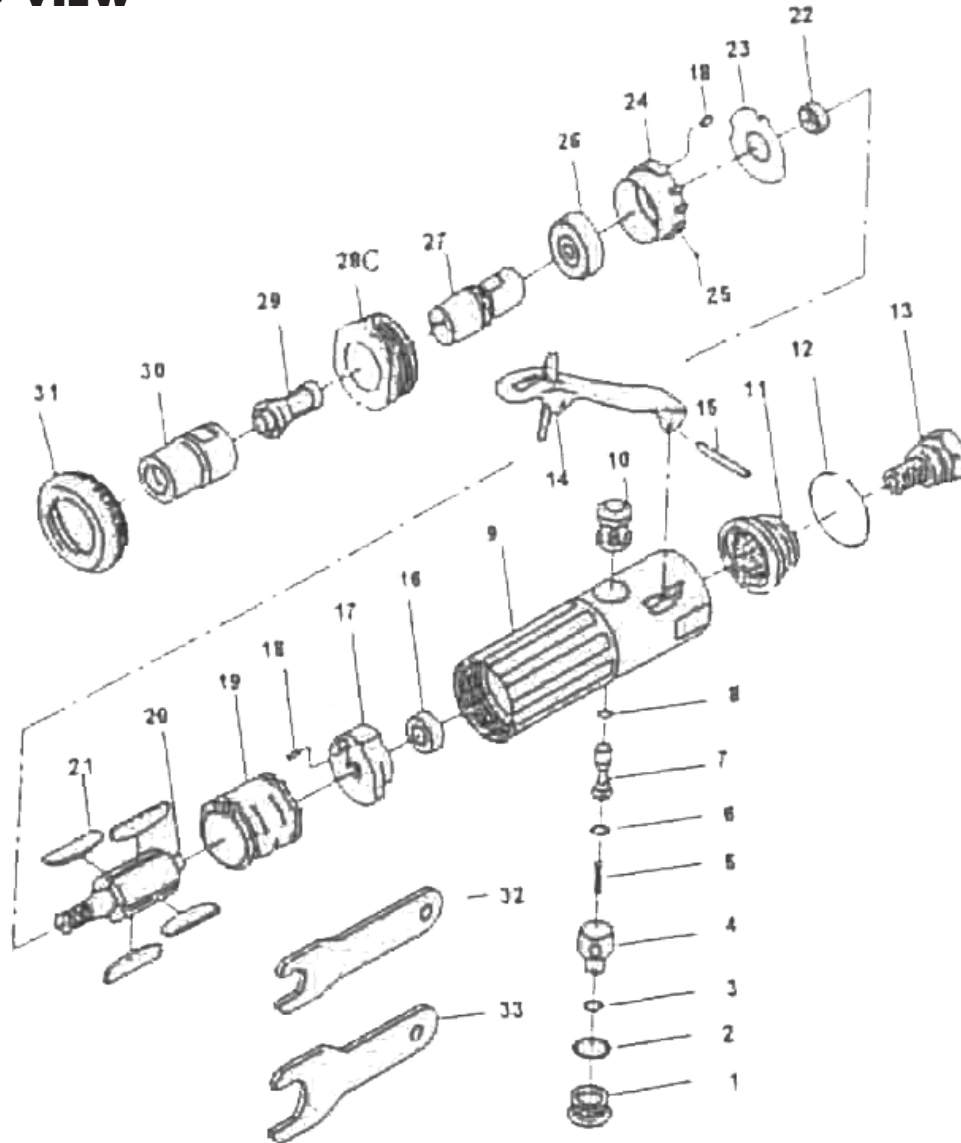


5110 DIE GRINDER

EXPLODED VIEW



PARTS LIST — FOR REFERENCE ONLY

Index Number	Part Number	Description	Qty.	Index Number	Part Number	Description	Qty.	Index Number	Part Number	Description	Qty.
1	RC7010C-01	Plug Screw	1	4	RC7010C-04	Air Regulator	1	20	RC7010C-20	Rotor	1
	5110-RK	Repair Kit (Parts available in kit only)	1	7	RC7010C-07	Valve Stem	1	22	RC7010C-22	Rotor Collar	1
2		O-Ring	1	9	RC7010C-09	Motor Housing	1	23	RC7010C-23	Steel Plate	1
3		O-Ring	1	10	RC7010C-10	Valve Bushing	1	24	RC7010C-24	Motor Rear End Plate	1
5		Valve Spring	1	11	RC7010C-11	Muffler	1	25	RC7010C-25	Ball	1
6		O-Ring	1	12	RC7010C-12	Retaining Ring	1	27	RC7010C-27	Spindle	1
8		O-Ring	1	13	RC7010C-13	Air Inlet	1	28	RC7010C-28	Lock Ring	1
16		Bearing 696ZZ	1	14	RC7010C-14	Lever	1	29	RC7010C-29	Collet	1
21		Rotor Blade	5	15	RC7010C-15	Pin	1	30	RC7010C-30	Collet Nut	1
26		Bearing 608ZZ	1	17	RC7010C-17	Motor Front End Plate	1	31	RC7010C-31	Housing Cap	1
				18	RC7010C-18	Locating Pin	1	32	BC7010C-32	Spanner SW11	1
				19	RC7010C-19	Cylinder	1	33	RC7010C-33	Spanner SW17	1

FOOTNOTES

EAGLE GROUP
A Division of AIMCO

10000 SE PINE
PORTLAND, OR 97216
503-254-6600
FAX 503-255-2615

When ordering spare parts, please specify
tool type, part number, and description