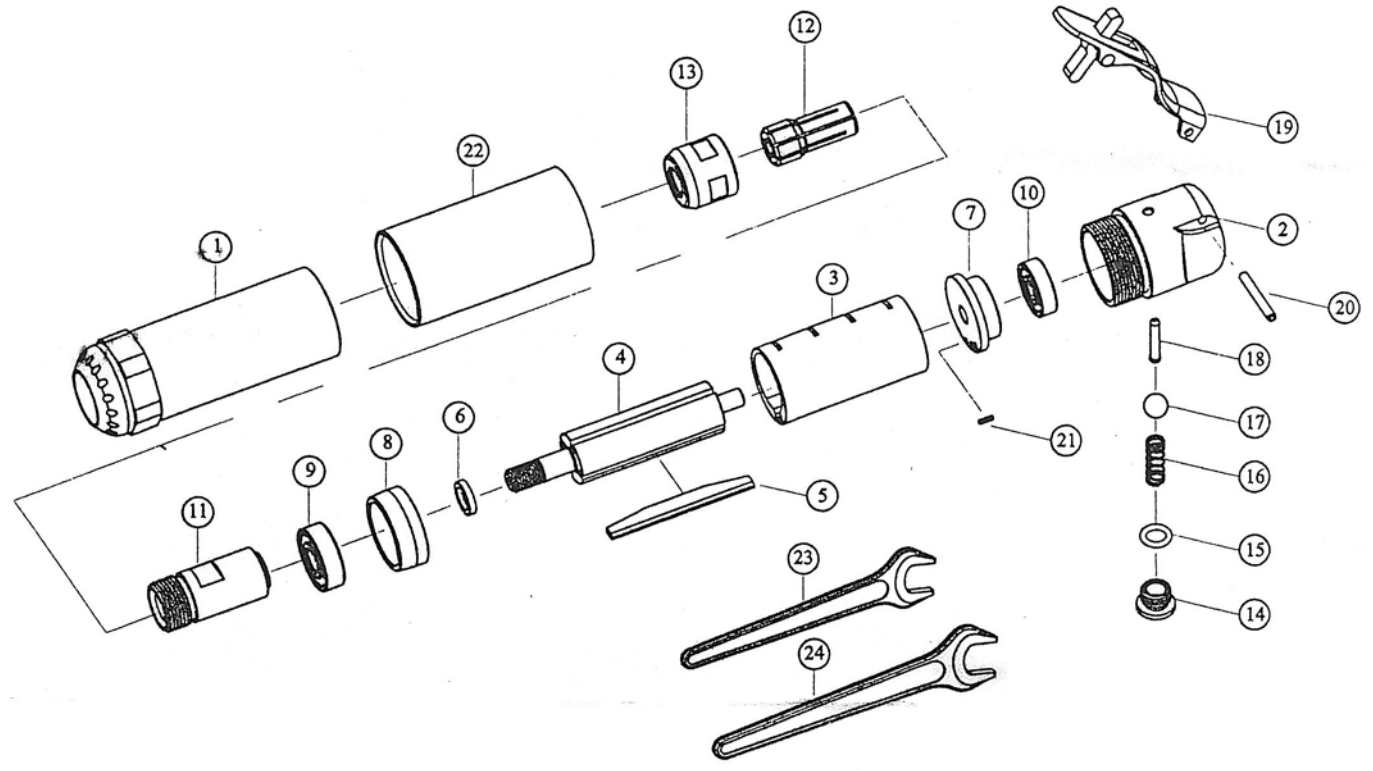


# 5125 25,000 RPM DIE GRINDER

## EXPLODED VIEW ONLY



## PARTS LIST – FOR REFERENCE ONLY

Index Number	Part Number	Description	Qty.	Index Number	Part Number	Description	Qty.	Index Number	Part Number	Description	Qty.
1	95200A-01	Body	1	9	95200A-09	Front Bearing	1	17	95200A-17	Valve Ball	1
2	95200A-02	Throttle Housing	1	10	95200A-10	Rear Bearing	1	18	95200A-18	Valve Stem	1
3	95200A-03	Cylinder	1	11	95200A-11	Chuck	1	19	95200A-19	Safety Lever	1
4	95200A-04	Rotor	1	12	95200A-12	Collet	1	20	95200A-20	Lever Pin	1
5	95200A-05	Vanes	5	13	95200A-13	Cap Nut	1	21	95200A-21	Pin	1
6	95200A-06	Spacer	1	14	95200A-14	Throttle Plug	1	22	95200A-22	Ergo Sleeve	1
7	95200A-07	Rear Bearing Housing	1	15	95200A-15	O-Ring	1	23	95200A-23	Chuck Spanner	1
8	95200A-08	Front Bearing Housing	1	16	95200A-16	Spring	1	24	95200A-24	Cap Nut Spanner	1

### TECHNICAL DATA

RPM	M <sup>3</sup> /Min	kg	dB(A)	m/s <sup>2</sup>
Free Speed	Max Air Flow	Weight	Sound Pressure Level	Vibration Value
25,000	.63	.65	<85	<2.5

### FOOTNOTES

When ordering spare parts, please specify tool type, part number and description

10000 SE PINE ST, PORTLAND, OR 97216  
503 254 1749 FAX 503 256 4026

REVISED 6/09

