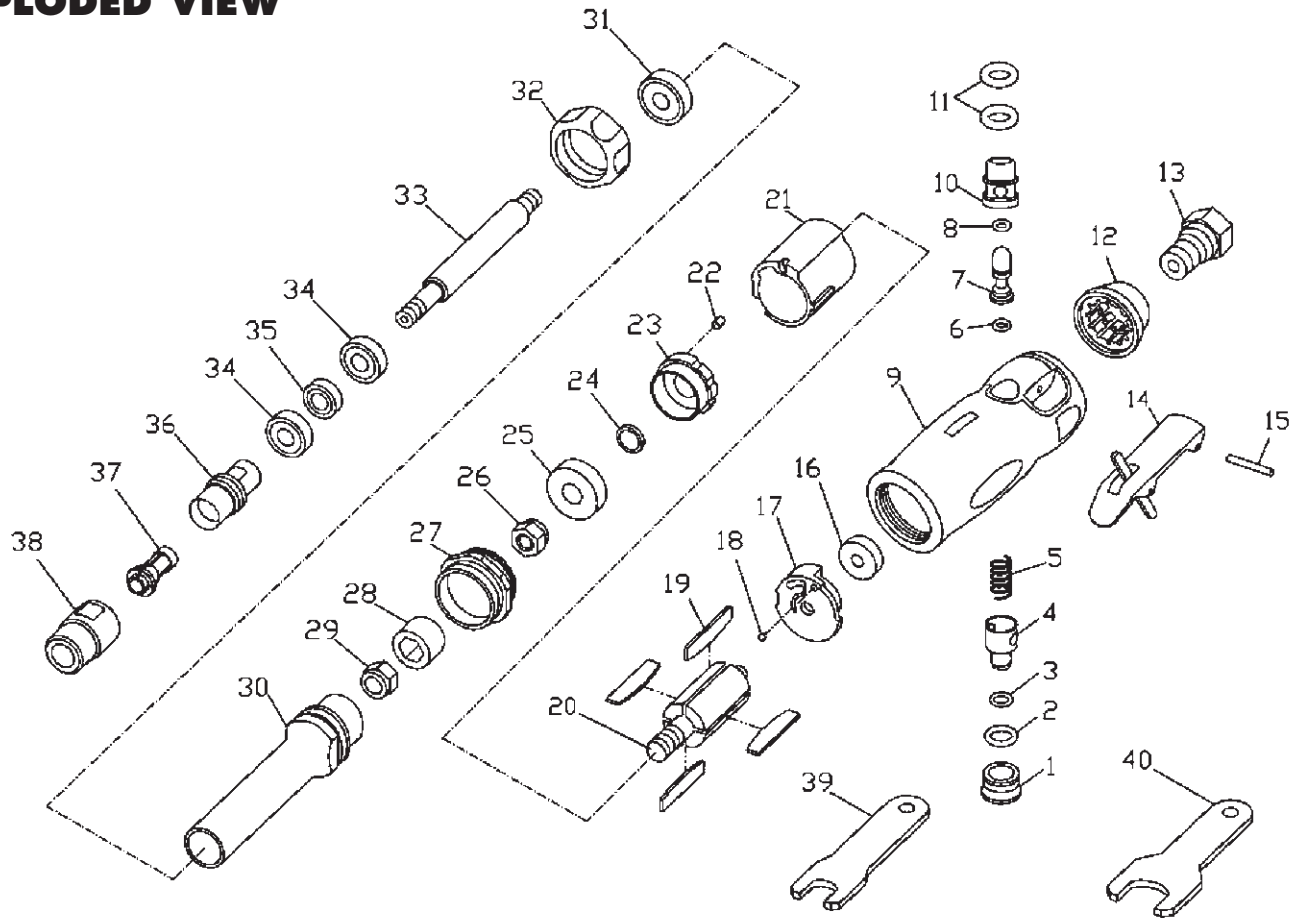


5207EC 5" EXTENDED DIE GRINDER

EXPLODED VIEW



PARTS LIST — FOR REFERENCE ONLY

| Index Number | Part Number | Description | Qty. | Index Number | Part Number | Description | Qty. |
|--------------|-------------|---------------|------|--------------|-------------|---------------|------|
| 1 | 95207TC501 | Plug Screw | 1 | 21 | 95207TC521 | Cylinder | 1 |
| 2 | 95207TC502 | O-Ring | 1 | 22 | 95207TC522 | Locating Pin | 1 |
| 3 | 95207TC503 | O-Ring | 1 | 23 | 95207TC523 | Bearing Plate | 1 |
| 4 | 95207TC504 | Air Regulator | 1 | 24 | 95207TC524 | Rotor Collar | 1 |
| 5 | 95207TC505 | Valve Spring | 1 | 25 | 95207TC525 | Bearing | 1 |
| 6 | 95207TC506 | O-Ring | 1 | 26 | 95207TC526 | Coupling Nut | 1 |
| 7 | 95207TC507 | Valve Stem | 1 | 27 | 95207TC527 | Lock Ping | 1 |
| 8 | 95207TC508 | O-Ring | 1 | 28 | 95207TC528 | Coupling | 1 |
| 9 | 95207TC509 | Motor Housing | 1 | 29 | 95207TC529 | Coupling Nut | 1 |
| 10 | 95207TC510 | Valve Bushing | 1 | 30 | 95207TC530 | 5" Housing | 1 |
| 11 | 95207TC511 | O-Ring | 2 | 31 | 95207TC531 | Bearing | 1 |
| 12 | 95207TC512 | Muffler | 1 | 32 | 95207TC532 | Cap | 1 |
| 13 | 95207TC513 | Air Inlet | 1 | 33 | 95207TC533 | 5" Spindle | 1 |
| 14 | 95207TC514 | Lever | 1 | 34 | 95207TC534 | Bearing | 2 |
| 15 | 95207TC515 | Lever Pin | 1 | 35 | 95207TC535 | Bearing | 1 |
| 16 | 95207TC516 | Bearing | 1 | 36 | 95207TC536 | Spindle | 1 |
| 17 | 95207TC517 | Bearing Plate | 1 | 37 | 95207TC537 | Collet | 1 |
| 18 | 95207TC518 | Ball | 1 | 38 | 95207TC538 | Collet Nut | 1 |
| 19 | 95207TC519 | Rotor Blade | 4 | 39 | 95207TC539 | Wrench (11mm) | 1 |
| 20 | 95207TC520 | Rotor | 1 | 40 | 95207TC540 | Wrench (17mm) | 1 |



A Subsidiary of AIMCO

When ordering spare parts, please specify tool type, part number and description.

10000 SE PINE ST., PORTLAND, OR 97216
503-254-6600 FAX 503-254-7215

FOOTNOTES

REVISED 04/06