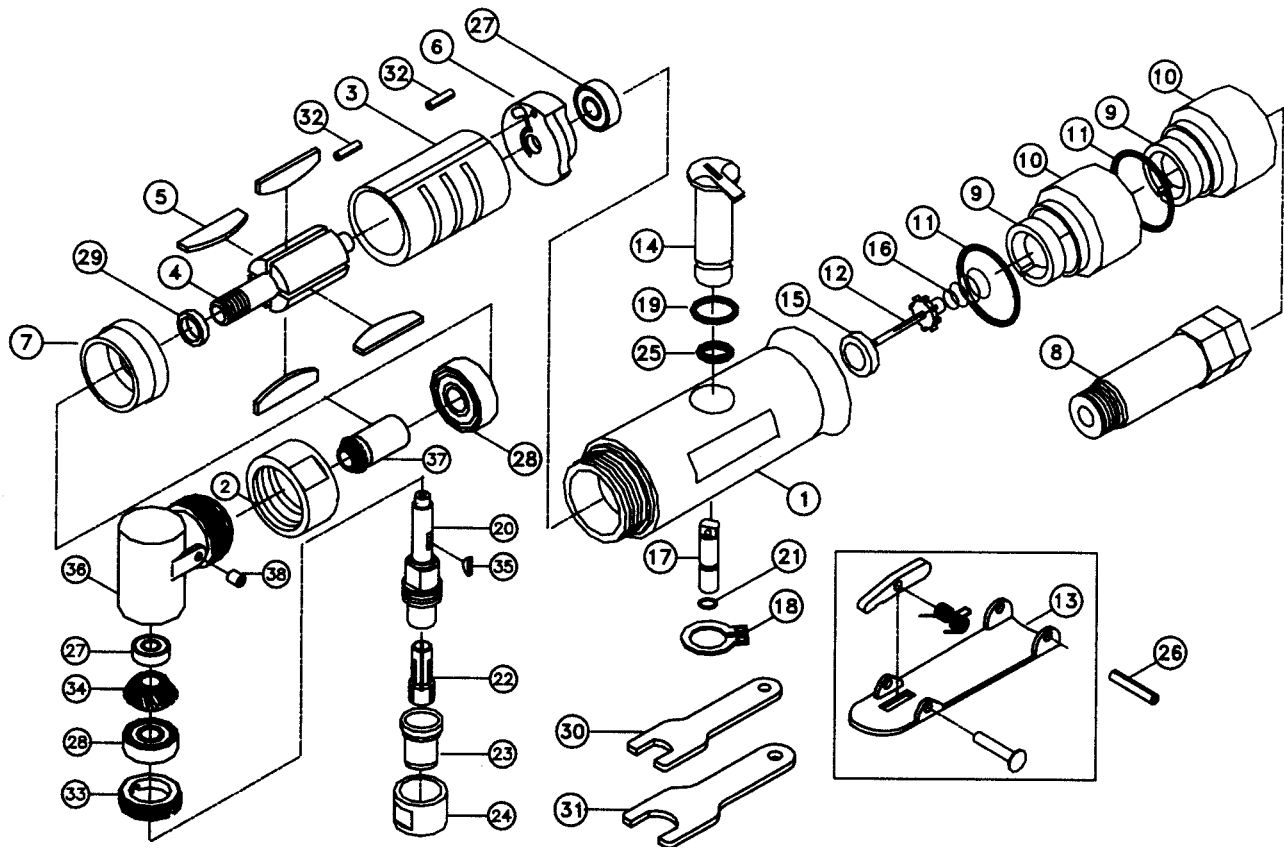


5A-04202 1/4" ANGLE DIE GRINDER

EXPLODED VIEW



PARTS LIST — FOR REFERENCE ONLY

Index Number	Part Number	Description	Qty.	Index Number	Part Number	Description	Qty.	Index Number	Part Number	Description	Qty.
1	10501	Motor Housing	1	17	07910	Valve Stem	1	33	96202	Clamp Nut	1
2	10503	Housing Lock Ring	1	18	07912	Retaining Ring	1	34	96203	Bevel Gear	1
3	10504	Cylinder	1	19	07915	O-Ring	1	35	96204	Key	1
4	10505	Rotor	1	20	07918AA	Spindle	1	36	96205	Angle Head Housing	1
5	10506	Blade	4	21	007245	O-Ring	1	37	96206	Pinion	1
6	10507	Rear End Plate	1	22	00830	Collet	1	38	96208	Grease Fitting	1
7	10508	Front Bearing Plate	1	23	00831C1	Collet Bushing	1				
8	10509AR	Inlet	1	24	00831C2	Collet Nut	1				
9	10510	Felt Muffler	2	25	83712	O-Ring	1				
10	07902	Muffler Cap	2	26	891127	Pin	1				
11	07903	O-Ring	2	27	96122	Bearing	2				
12	07904	Tip Valve	1	28	96129	Bearing	2				
13	07905	Safety Lever Assembly	1	29	96130	Spacer	1				
14	07907	Speed Reg.	1	30	96133	Spanner Wrench (11 MM)	1				
15	07908	Seal	1	31	96134	Spanner Wrench (17MM)	1				
16	07909	Spring	1	32	96135	Pin	2				

FOOTNOTES

10000 SE Pine Street
Portland, OR 97216
503-254-6600
FAX 503-255-2615

When ordering spare parts, please specify
tool type, part number and description.