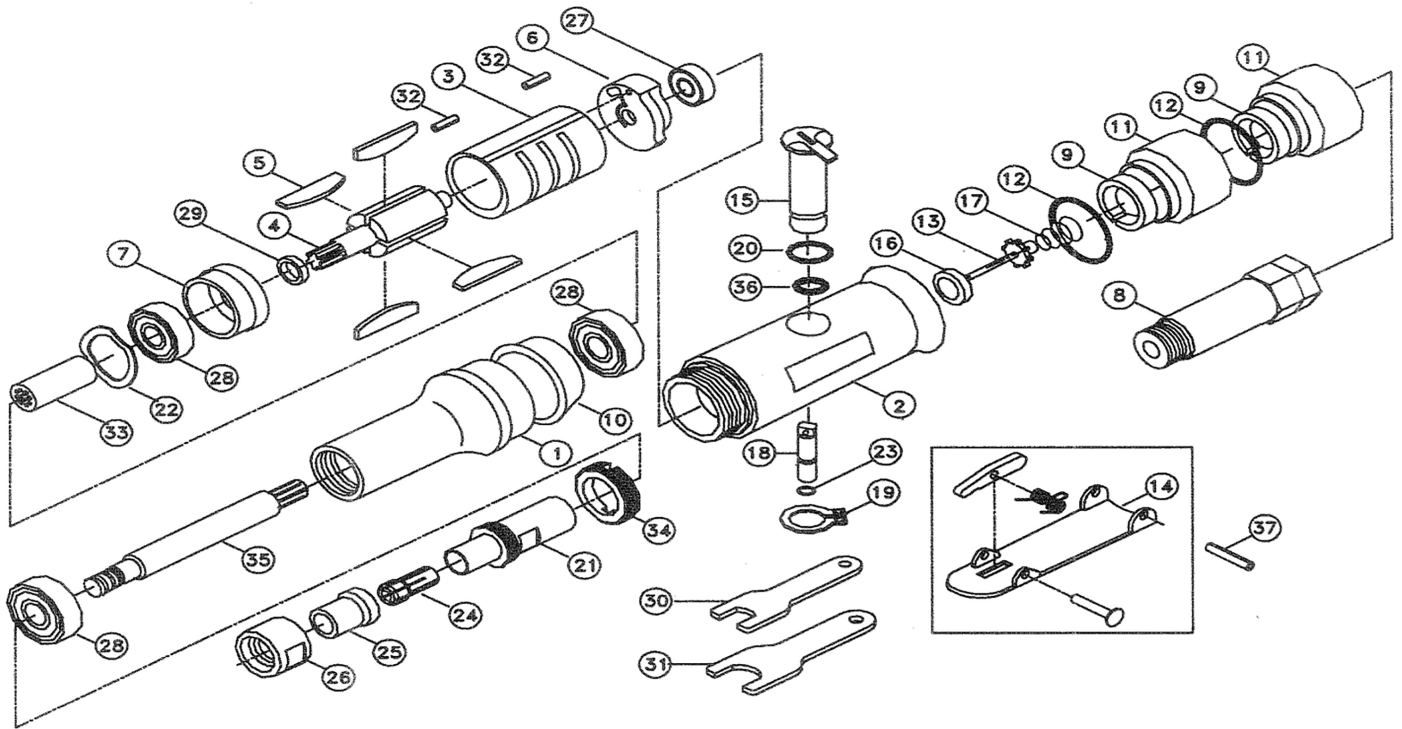


5I-04252X 1/4" DIE GRINDER

EXPLODED VIEW



PARTS LIST — FOR REFERENCE ONLY

Index Number	Part Number	Description	Qty.	Index Number	Part Number	Description	Qty.	Index Number	Part Number	Description	Qty.
1	105L1	Socket	1	16	07908	Seal	1	31	96134	Spanner Wrench 17 mm	1
2	10501	Motor Housing	1	17	07909	Spring	1	32	96135	Pin (2 x 3.6)	2
3	10504	Cylinder	1	18	07910	Valve Stem	1	33	105L3	Adaptor	1
4	105L4	Rotor	1	19	07912	Retaining Ring	1	34	96202	Clamp Nut	1
5	10506	Blade	4	20	07915	O-Ring	1	35	105L2	Transmission Shaft	1
6	10507	Rear End Plate	1	21	07916A	Spindle	1	36	83712	O-Ring	1
7	10508	Front Bearing Plate	1	22	07919	Wave Washer (WW20)	1	37	891127	Pin (3 x 22)	1
8	10509AR	Inlet	1	23	007245	O-Ring P2.6 x 1	1				
9	10510	Felt Muffer	2	24	00830	Collet	1				
10	10511	Insulator Collar	1	25	00831C1	Collet Bushing	1				
11	07902	Muffer Cap	2	26	00831C2	Collet Nut	1				
12	07903	O-Ring	2	27	982-033-0	Ball Bearing (696)	1				
13	07904	Tip Valve	1	28	982-045-0	Ball Bearing (608)	3				
14	07905	Safety Lever Assembly	1	29	96130	Rotor Spacer	1				
15	07907	Speed Reg.	1	30	96133	Spanner Wrench 11 mm	1				

FOOTNOTES

EAGLE GROUP
A Division of AIMCO

10000 SE PINE
PORTLAND, OR 97216
503-254-6600
FAX 503-255-2615

When ordering spare parts, please specify
tool type, part number, and description