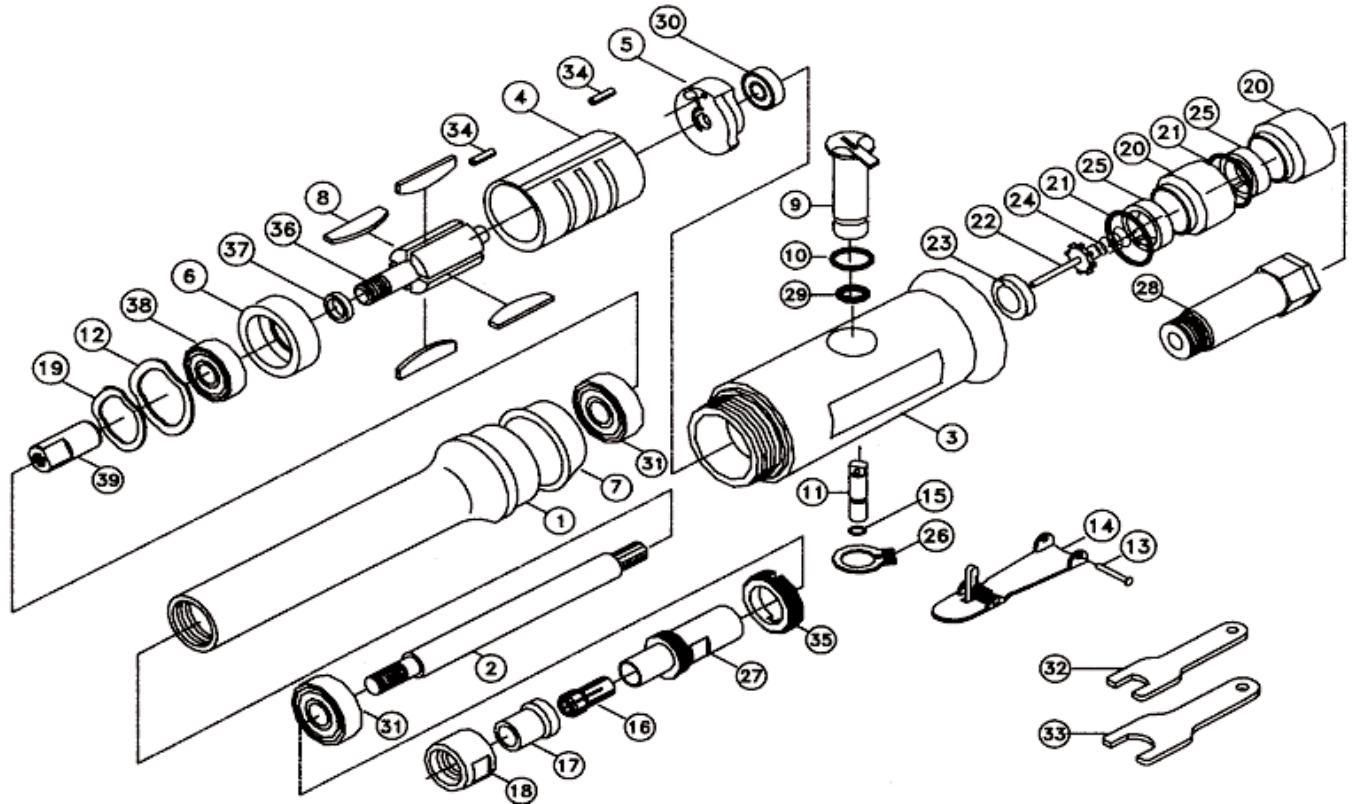


5I-06202X DIE GRINDER

EXPLODED VIEW



PARTS LIST — FOR REFERENCE ONLY

Index Number	Part Number	Description	Qty.	Index Number	Part Number	Description	Qty.	Index Number	Part Number	Description	Qty.
1	106L01	Socket	1	15	00724S	O-Ring P2.6 x 1	1	29	83712	O-Ring (P8)	1
2	106L02	Transmission Shaft	1	16	00830	Collet	1	30	982-033-0	Ball Bearing (696)	1
3	10601	Motor Housing	1	17	00831C1	Collet Bushing	1	31	982-045-0	Ball Bearing (608)	2
4	10602	Cylinder	1	18	00831C2	Collet Nut	1	32	96133	Spanner Wrench (11 mm)	1
5	10603	Rear End Plate	1	19	05705	Wave Washer (WW18)	1	33	96134	Spanner Wrench (17 mm)	1
6	10604	Front Bearing Plate	1	20	07902	Muffler Cap	2	34	96135	Pin (2 x 3.6)	2
7	10606	Insulator Collar	1	21	07903	O-Ring	2	35	96202	Clamp Nut	1
8	10607	Blade	4	22	07904	Tip Valve	1	36	98124	Rotor	1
9	08202	Speed Reg.	1	23	07908	Seal	1	37	98125	Spacer	1
10	08203	O-Ring	1	24	07909	Spring	1	38	982-170-0	Ball Bearing (6000)	1
11	08204	Valve Stem	1	25	07911	Felt Muffler	2	39	98702	Adapter	1
12	08206	Wave Washer (6202)	1	26	07912	Retaining Ring	1				
13	08207	Pin 3 x 24	1	27	07916A	Spindle	1				
14	00722S	Safety Lever Assembly	1	28	10509AR	Inlet	1				

FOOTNOTES

EAGLE GROUP
A Division of AIMCO

10000 SE PINE
PORTLAND, OR 97216
503-254-6600
FAX 503-255-2615

When ordering spare parts, please specify tool type, part number, and description