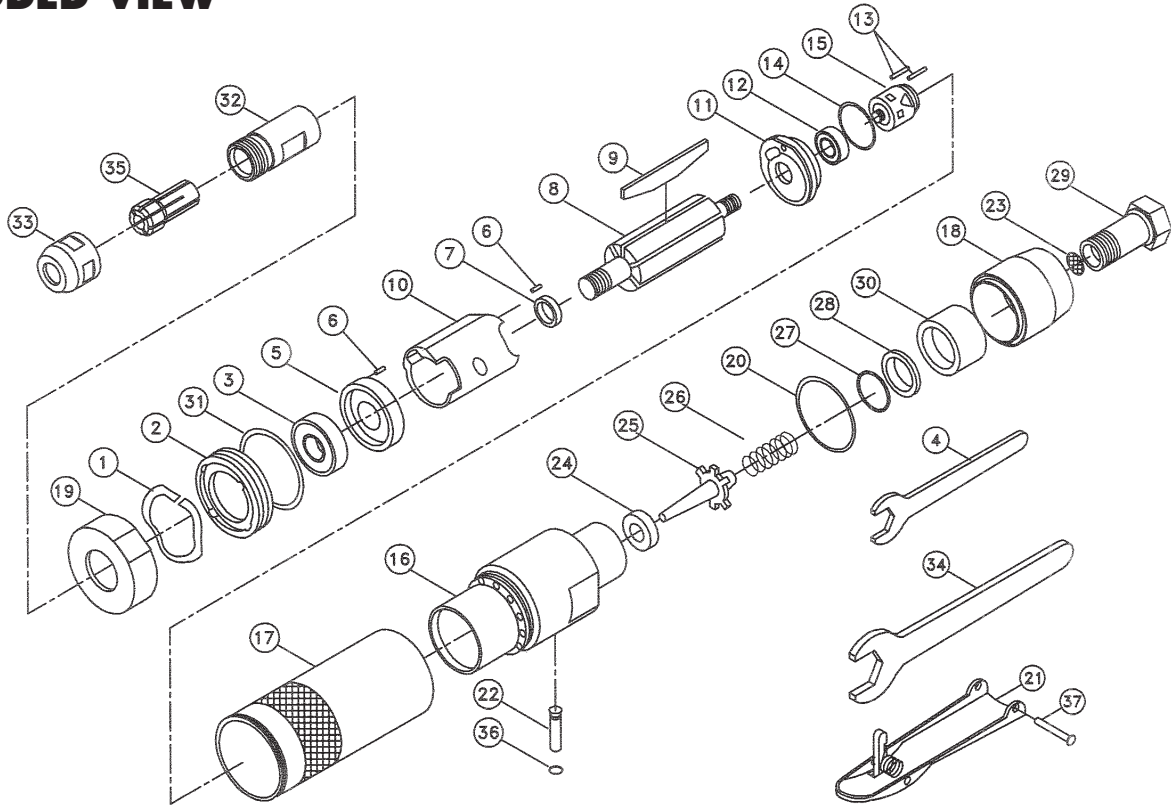


# 51-10202 1/4" DIE GRINDER

## EXPLODED VIEW



## PARTS LIST — FOR REFERENCE ONLY

Index Number	Part Number	Description	Qty.	Index Number	Part Number	Description	Qty.	Index Number	Part Number	Description	Qty.
1	12811	Wave Spring	1	14	12824	Gasket	1	27	12834	O-Ring (S20)	1
2	12812	Adapter	1	15	12825K19	Governor Assembly	1	28	12835	Spacer	1
3	982-270-0	Bearing (6200)	1	16	12826-A	Throttle Housing	1	29	12836	Inlet	1
4	12814	Spanner (Chuck) 14 mm	1	17	12826-B	Housing	1	30	12837	Felt	1
5	12815	Front Bearing Plate	1	18	12826-C	Rear Silencer	1	31	08113	O-Ring (AS027)	1
6	12816	Pin (2 x 6)	2	19	12826-D	Nut	1	32	007125	Collet Holder	1
7	12817	Spacer	1	20	12826-E	O-Ring (AS028)	1	33	007135	Nut	1
8	12818	Rotor	1	21	12828	Safety Lever Assembly	1	34	41239	Spanner (Cap Nut) 19 mm	1
9	12819	Blade	4	22	12829	Valve Stem	1	35	007165	Collet	1
10	12820	Cylinder	1	23	12830	Screens	1	36	891114	O-Ring (2.9 x 1)	1
11	12821	Rear Bearing Plate	1	24	12831	Valve Seat	1	37	96108	Pin (3 x 25)	1
12	982-013-0	Bearing (606)	1	25	12832	Tip Valve	1				
13	12823	Pin (2.5 x 16)	2	26	12833	Spring	1				

### FOOTNOTES

**EAGLE GROUP**  
A Division of AIMCO

10000 SE PINE  
PORTLAND, OR 97216  
503-254-6600  
FAX 503-255-2615

When ordering spare parts, please specify tool type, part number, and description

REVISED 03/15