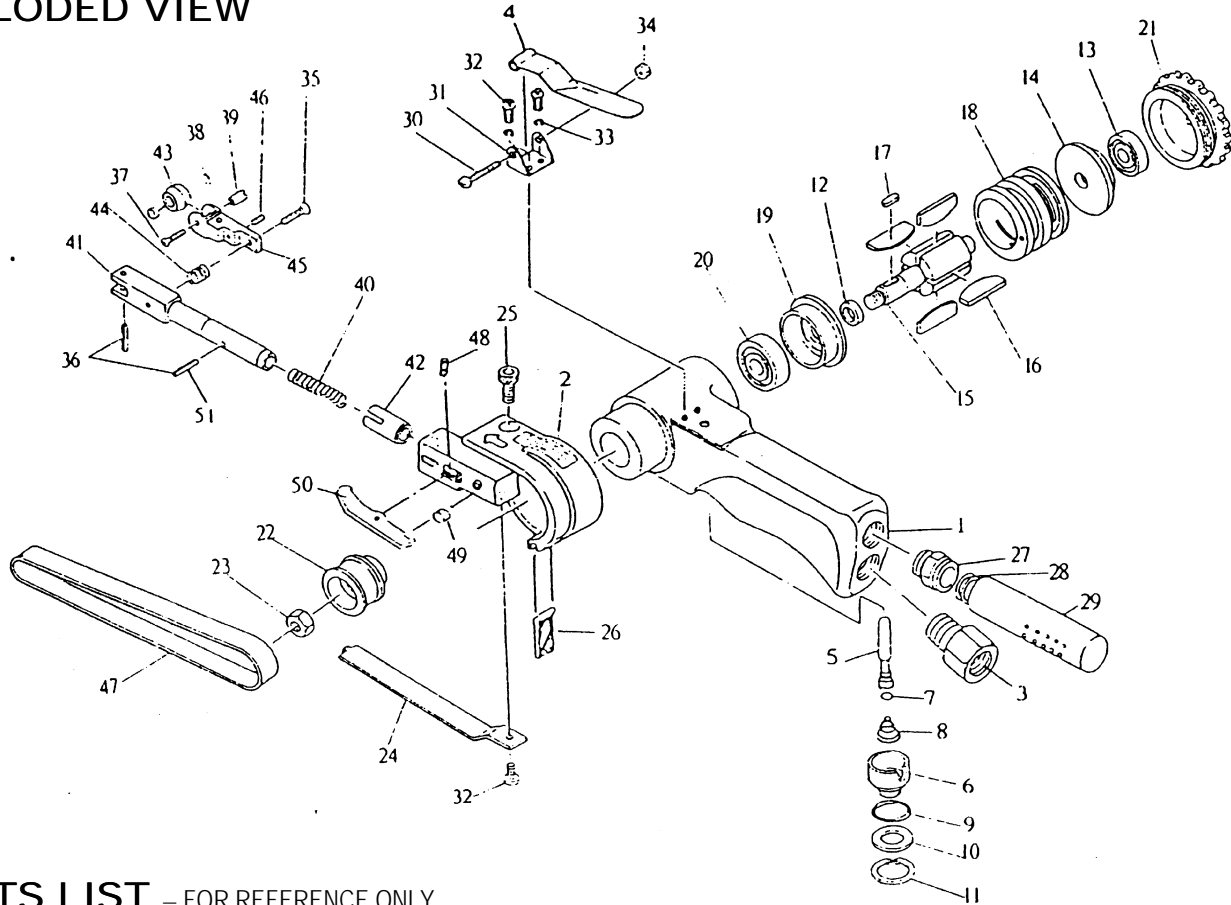


# 6014A

## 3/8" X 13" MINI-BELT SANDER

### EXPLODED VIEW



### PARTS LIST – FOR REFERENCE ONLY

Index Number	Part Number	Description	Qty.	Index Number	Part Number	Description	Qty.	Index Number	Part Number	Description	Qty.
1	61001	Housing	1	18	61018	Cylinder	1	35	61035	Pan Head Machine Scw.1	1**
2	61002	Guard Sub	1	19	61019	Front end Plate	1	36	61036	Spring Pin	1**
3	61003	Air Inlet	1	20	61020	Ball Bearing	1	37	61037	Pan Head Machine Scw.1	1
4	61004	Lever	1	21	61021	Cap	1	38	61038	Ball Bearing	2**
5	61005	Valve Stem	1	22	61022	Drive Pulley	1	39	61039	Idle Pulley Shaft	1**
6	61006	Adjust Valve	1	23	61023	Hexagon nut	1	40	61040	Spring	1
7	61007	O Ring	1*	24	61024	Shoe	1	41	61041	Tension Bar	1**
8	61008	Spring	1	25	61025	Hexagon socket head bolt	1	42	61042	Bushing	1
9	61009	O Ring	1*	26	61026	Dust cover	1*	43	61043	Idle pulley	1**
10	61010	Spacer	1	27	61027	Nipple	1	44	61044	Spring	1**
11	61011	Retaining ring	1*	28	61028	Spring	1	45	61045	Bracket	1**
12	61012	Spacer	1	29	61029	Silencer	1	46	61046	Hexagon Headless Set Screw	1**
13	61013	Ball Bearing	1	30	61030	Pan Head Machine Scw.1	1	47	61047	Grinding Belt	1
14	61014	Rear End Plate	1	31	61031	Lever Support	1	48	61048	Spring Pin 2.5x8L	1
15	61015	Rotor	1	32	61032	Pan Head Machine Scw.1	3	49	61049	spring	1
16	61016	Blade	4*	33	61033	Spring Washer	2	50	61050	Safety	1
17	61017	Key	1	34	61034	Hexagon Nut	1	51	61051	Lock Pin 3x11.8L	1**

#### TECHNICAL DATA

	Max Air Pressure	Recommended Air Hose Size	RPM Free Speed	Max Air Flow CFM	Weight (lbs.)
6014A	90 psi	3/8"	16,000	14.2	1.7

#### FOOTNOTES

- \* Parts Available in Repair Kit 6014A-RK\*
- \*\* Parts Available in Rebuild Kit6014A-RBK



When ordering spare parts, please specify tool type, part number and description

10000 SE PINE, PORTLAND, OR 97216  
503-254-1749 FAX 503-256-4026

REVISED 7/99