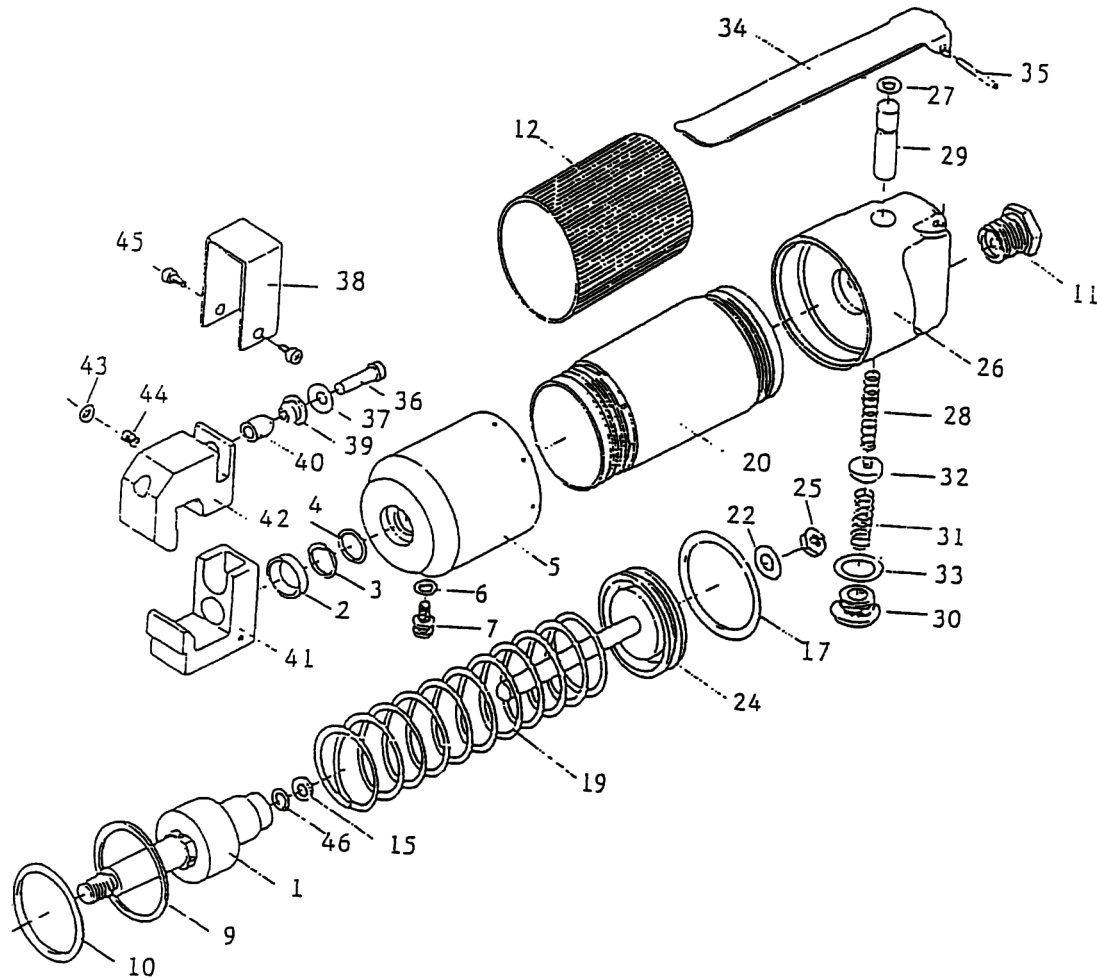


6301 PUNCH FLANGE

EXPLODED VIEW



PARTS LIST — FOR REFERENCE ONLY

Index Number	Part Number	Description	Qty.	Index Number	Part Number	Description	Qty.	Index Number	Part Number	Description	Qty.
1	RC6301A-01	Hydraulic Piston	1	19	RC6301A-19	Spring	1	34	RC6301A-34	Lever	1
2	RC6301A-02TK	Oil Seal	1 ●	20	RC6301A-20	Air Cylinder	1	35	RC6301A-35	Spring Pin	1
3	RC6301A-03	Support Ring	1	22	RC6301A-22	Washer	1	36	RC6301A-36	Punch	1
4	RC6301A-04TK	O-Ring	1 ●	24	RC6301A-24	Air Piston (incl. #22 & #25)	1	37	RC6301A-37	Cup Spring	1
5	RC6301A-05	Hydraulic Cylinder	1	25	RC6301A-25	Locking Nut	1	38	RC6301A-38	Cover Plate	1
6	RC6301A-06TK	O-Ring	1 ●	26	RC6301A-26	Valve Body	1	39	RC6301A-39	Guide Bushing	1
7	RC6301A-07	Oil Plug	1	27	RC6301A-27TK	O-Ring	1 ●	40	RC6301A-40	Punch Die	1
9	RC6301A-09	Support Ring	1	28	RC6301A-28	Spring	1	41	RC6301A-41	Anvil (incl. #43)	1
10	RC6301A-10TK	O-Ring	1 ●	29	RC6301A-29	Push Rod	1	42	RC6301A-42	Clamp	1
11	RC6301A-11	Air Inlet	1	30	RC6301A-30	Screw	1	43	RC6301A-43	Plug	1
12	RC6301A-12	Plastic Wrapper	1	31	RC6301A-31	Spring	1	44	RC6301A-44	Locking Screw	1
15	RC6301A-15	Support Ring	1	32	RC6301A-32TK	Valve	1 ●	45	RC6301A-45	Screw	1
17	RC6301A-17TK	O-Ring	1 ●	33	RC6301A-33TK	O-Ring	1 ●	46	RC6301A-46TK	O-Ring	1 ●

FOOTNOTES

● = Items in Tune Up Kit RC6301A-TK

EAGLE
GROUP
A Division of AIMCO

10000 SE PINE
PORTLAND, OR 97216
503-254-6600
FAX 503-255-2615

When ordering spare parts, please specify
tool type, part number, and description

REVISED 10/14