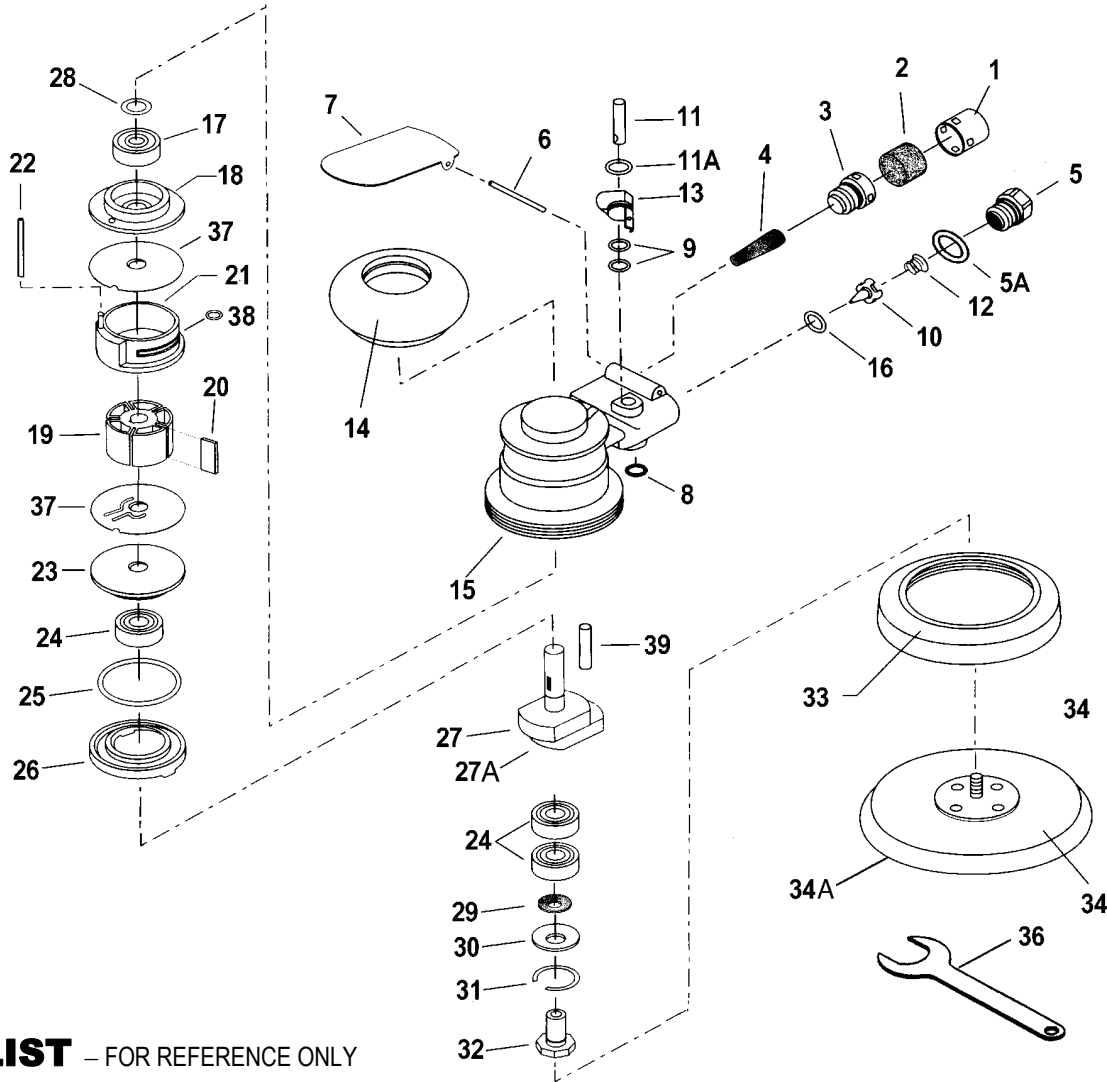


6900 RANDOM ORBITAL SANDER

EXPLODED VIEW ONLY



PARTS LIST – FOR REFERENCE ONLY

Index Number	Part Number	Description	Qty.
1	7181001	Cover	1
2	7181002	Felt	1
3	7181003	Muffer Body	1
4	7181004	Cone Muffer	1
5	7181005	Inlet Bushing	1
5A	718105A	Washer	1
6	7181006	Spring Pin	1
7	7181007	Lever	1
8	7181008	Snap Ring	1
9	7181009	O-Ring	2
10	7181010	Regulator	1
11	7181011	Valve Stem	1
11A	7181011A	O-Ring	1
12	7181012	Spring	1

Index Number	Part Number	Description	Qty.
13	7181013	Lever	1
14	7181014	Rubber Cover	1
15	7181015	Housing	1
16	7181016	Washer	1
17	7181017	Ball Bearing	1*
18	7181018	Rear Plate	1
19	7181019	Rotor	1
20	7181020	Rotor Blade	5*
21	7181021	Cylinder	1
22	7181022	Spring Pin	1
23	7181023	Front Plate	1
24	7181024	Ball Bearing	3*
25	7181025	O-Ring	1
26	7181026	Safeguard Busing	1

Index Num-	Part Number	Description	Qty.
27	7181027	Motor Shaft Balancer—2.5mm	1
27A	7181027A	Motor Shaft Balancer—5mm (option)	1
28	7181028	Snap Ring	1
29	7181029	Felt Ring	1
30	7181030	Bearing Shield	1
31	7181031	Snap Ring	1
32	7181032	Shaft	1
33	7181033	Shroud	1
34	71810034	5" Pad	1
35	7181035	Vacuum Adapter	1
36	7181036	Wrench	1
37	7181037	Steel Plate	2
38	71810038	O-Ring	1
39	71810039	Pin	1

TECHNICAL DATA

	Recommended Air Pressure	Recommended air hose size	Free Speed RPM
MA-5 & MA-6	90 psi	3/8"	12,000

ACCESSORIES

34	71810034	5" Sanding Pad	1
34A	71810034A	6" Sanding Pad	1

FOOTNOTES

* Parts available in 6900-RK*



When ordering spare parts, please specify tool type, part number and description

10000 SE PINE, PORTLAND, OR 97216
503-254-1749 FAX 503-256-4026

REVISED 04/2005