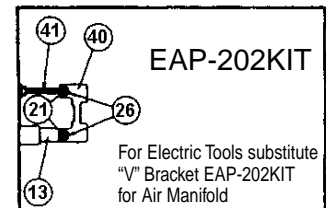
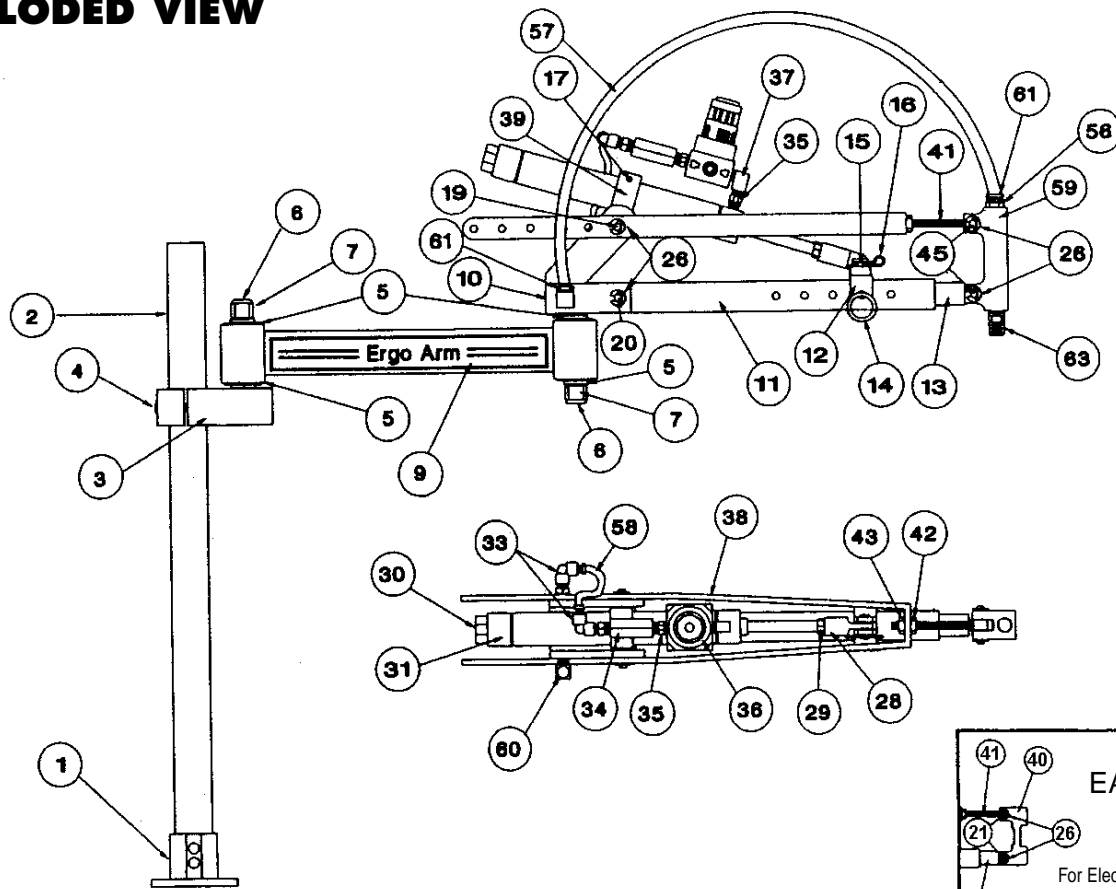


AD-D1098-PAC/PACE PARALLEL AIR CYL. ERGO-ARM

EXPLODED VIEW



PARTS LIST — FOR REFERENCE ONLY

Index Part No. No.	Description	Qty.	Index Part No. No.	Description	Qty.	Index Part No. No.	Description	Qty.			
1	EA-14	Table Flange	1	23	EA-30	Bearing	4	46	EAS-102	Wrist Bracket Yoke Stop	1
2	EA-01	Post	1	24	EA-33	Bearing	2	56	EAS-113	1/4" X 1/4" Barb Fitting	1
3	EA-02	Shoulder Clamp	1	25	EA-32	Bearing	2	57	EAS-114	1/4" Tubing 26" long	1
4	EA-44	1/4-20 X 1-1/4" Cap Screw	2	26	EA-39	"E" Ring	8	58	EAC-13	5/32" Tubing 8" long	1
5	EA-03	Bearing	4	28	EAC-07	Rod End	1	59	EAP-203	Air Manifold	1
6	EA-04	1/2-13 X 4" Double Ended Stud	2	29	EAC-09	Rod End Nut	1	60	EAS-110	1/4" X 1/4" 90 Deg. Barb Fitting	1
7	EA-05	1/2-13 Locking Nut	2	30	EAC-06	Exhaust Filter	1	61	EAS-112	3/8" #811 Hose Clamp	2
8	EA-21	Label	2	31	EAC-04	Air Cylinder	1	62	EAS-111	Air Hose Set	1
9	EA-06	Upper Arm	1	33	EAC-03	290 Deg. Swivel Elbow	2	63	EAS-115	1/4" X 1/4" Hex Nipple	1
10	EA-07	Elbow	1	34	EAC-01	Check Valve	1				
11	EA-10	Forearm	1	35	EAC-08	Hex Nipple	2				
12	EA-09	Cyl. Mtg. Yoke Rod End	1	36	EAC-02	Regulator	1				
13	EA-11	Forearm Insert	1	37	EAC-05	90 Deg. Street Elbow	1				
14	EA-18	1/4" X 1-5/8" Cotterless Clevis Pin	1	38	EAP-201	Parallel Upper Rail	1				
15	EA-17	3/16 X 3/4" Clevis Pin	1	39	EAC-12	Cyl. Mtg. Clamp Body	1				
16	EA-13	Hair Pin Cotter	1	41	EAP-204	Vertical Adjusting Rod	1				
17	EA-20	8-32 X 1" Cap Screw	1	42	EAP-205	Vertical Adjusting Sleeve	1				
19	EA-36	1/4" X 2-5/8" Clevis Pin/Parallel Arm	1	43	EAP-206	3/8-16 Nut	1				
21	EA-35	Clevis Pin	2	44	EAP-212	Hose Clamp Assembly (1 lg./1 sm.)	1				
22	EA-31	Bearing	6	45	EA-38	Clevis Pin	2				

NOTES

To order complete parallel arm for electric tools, use Part number AD-D1098-PACE



AIMCO

When ordering spare parts, please specify tool type, part number and description.

10000 SE PINE, PORTLAND, OR 97216
503-254-6600 FAX 503-255-2615

AIMCO offers a complete line of Tool Support products.
Visit our website at www.aimco-global.com

REVISED 05/03