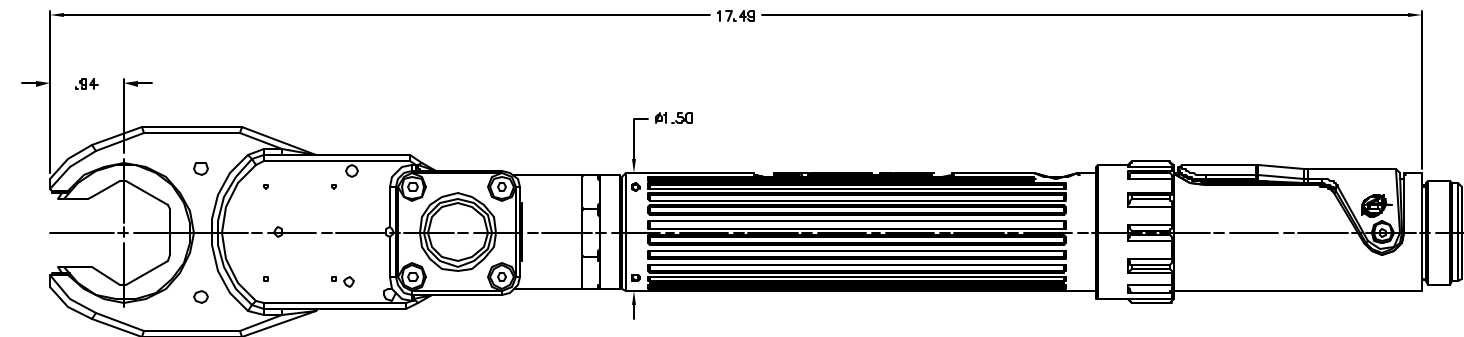
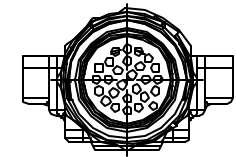
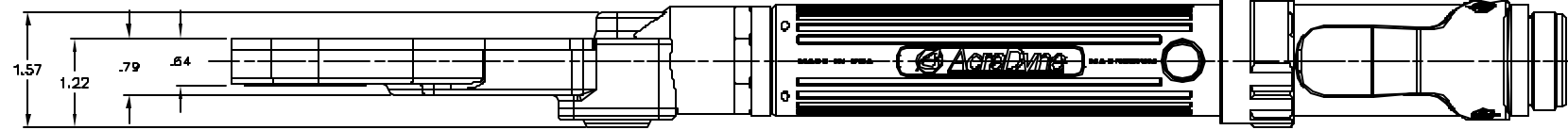
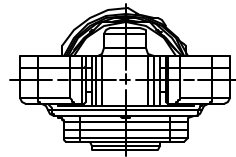
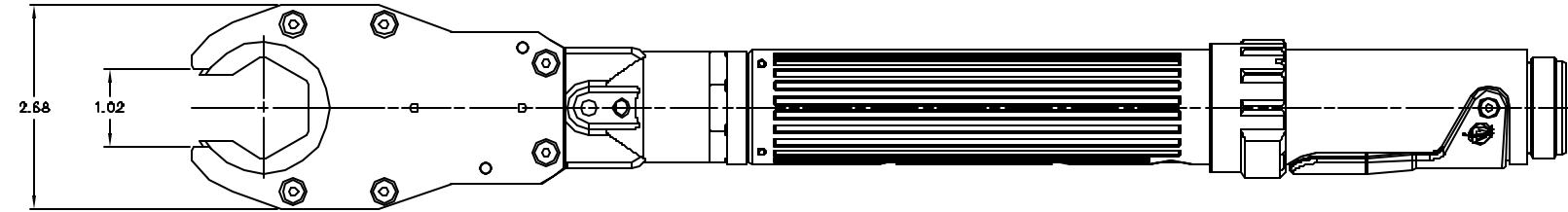


REVISIONS				
REV	DESCRIPTION	EDN	DATE	BY APPROV
A	PRODUCTION RELEASE	---	8-28-02	JER KJD

NOTES :

- 1 FREE SPEED - 320 RPM
- 2 MAX TORQUE - 50 NM
- 3 WEIGHT - N/A LBS / N/A KG
- 4 DUTPUT - 1 1/8" MAX HEX
- 5 HEAD GEAR RATIO - 4.861:1



		<b>AcraDyne</b> ACRADYNE INC. 1304 E. MAPLE TROY, VA 40088 U.S.A.	
DRAWN: JER B-28-D2 CHECKED: KJD APPROVED: PP PART NO.: 2000 DO NOT SCALE DRAWING	<b>AET 2050 - OUTLINE</b> 2000 SERIES TUBE-NUT NUTRUNNER	PART NO.: D 21515 SCALE: 1:1 SHEET: 1 OF 1 REVISION: A	PART NO.: 21515