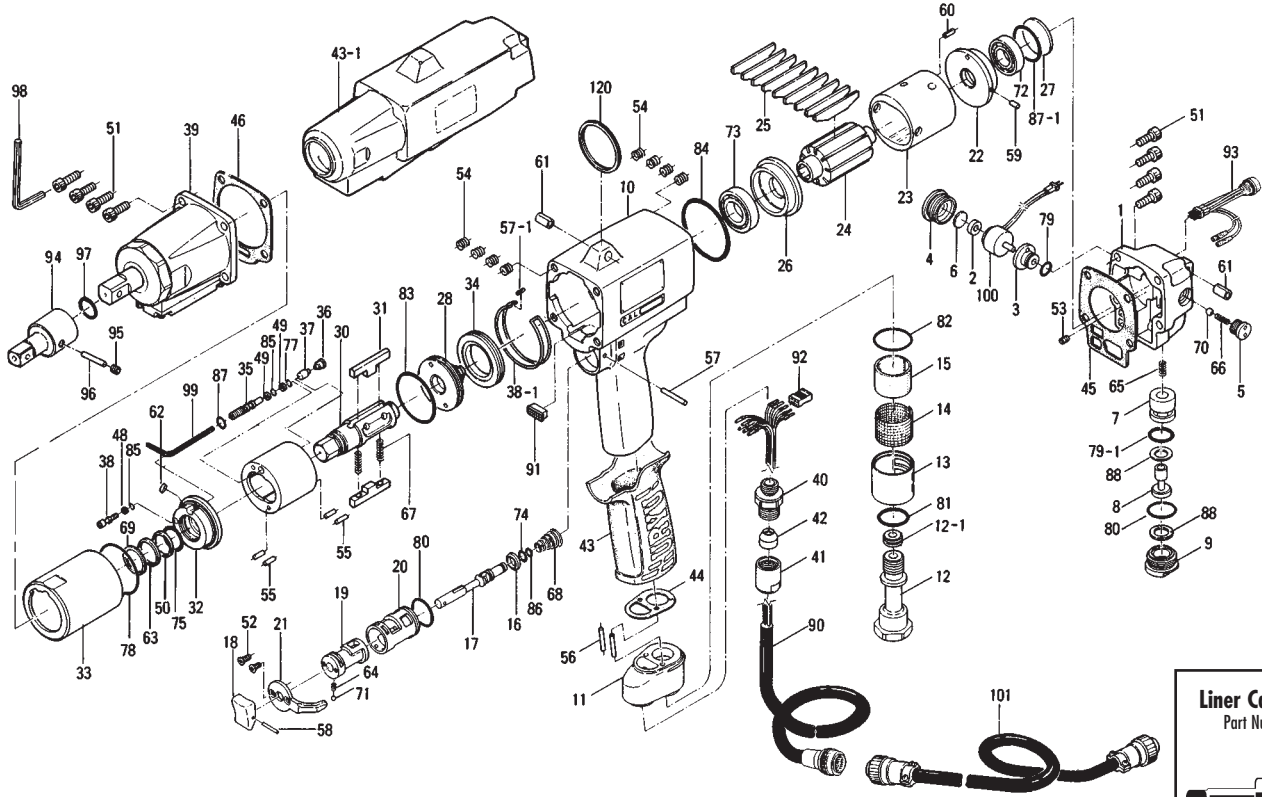


α ALPHA 101MC OIL-PULSE TOOLS

EXPLODED VIEW



Liner Casing Assembly
Part Number: 149-911-8



PARTS LIST — FOR REFERENCE ONLY

Index Number	Part Number	Description	Qty.	Index Number	Part Number	Description	Qty.	Index Number	Part Number	Description	Qty.
1	149-012-5	Casing Cover	1	36	194-969-2	Relief Valve Cover	1	70	981-024-0	Ball (5)	1
2	193-120-6	Valve Packing Spacer	1	37	194-970-2	Relief Valve	1	71	981-002-0	Ball (1/8)	1
3	193-147-6	Stop Valve Bushing	1	38	194-742-3	Oil Plug	1	72	982-403-0	Ball Bearing (EE-4)	1
4	193-148-6	Stop Valve Cover	1	38-1	149-754-5	Clip Ring	1	73	982-950-0	Ball Bearing (160002)	1
5	193-149-6	Stop Valve Plug	1	39	850-472-1	Sensor Casing Assembly	1	74	990-002-0	O-Ring (P4)	1
6	193-872-6	Valve Packing	1	40	149-079-5	Connector	1	75	990-154-0	O-Ring (P14)	1
7	149-253-5	Shut Off Valve Bushing	1	41	149-018-5	Cap	1	77	990-320-0	O-Ring (ARP-568-003)	1
8	149-254-5	Shut Off Valve	1	42	149-562-6	Stopper	1	78	990-337-0	O-Ring (JW1S30-27)	1
9	149-927-5	Shut Off Valve Cover	1	43	173-842-0	Handle Cover	1	79	990-905-0	O-Ring (SNS-7)	1
10	149-025-5	Casing	1	43-1	149-840-5	Casing Protector	1	79-1	990-913-0	O-Ring (SNS-15)	1
11	149-035-5	Casing Connector	1	44	149-850-5	Handle Packing	1	80	990-914-0	O-Ring (SNS-16)	2
12	148-091-9	Air Inlet Bushing	1	45	149-853-5	Casing Packing	1	81	990-916-0	O-Ring (SNS-18)	1
12-1	149-093-5	Air Inlet Bushing Screw	1	46	149-867-5	Front Casing Packing	1	82	990-921-0	O-Ring (SNS-22.4)	1
13	173-780-5	Exhaust Stack	1	48	944-003-0	Supporting Ring (3 x 5 x 1)	1	83	990-924-0	O-Ring (SNS-30)	1
14	173-042-0	Silencer	1	49	944-002-0	Supporting Ring (2.6 x 4.5 x 1)	2	84	990-934-0	O-Ring (SNS-44)	1
15	173-835-0	Filter	1	50	944-219-0	Supporting Ring (1.4 x 17.9 x 1.5)	1	85	990-970-0	O-Ring (SNS-2) (NOK)	2
16	173-100-0	Valve	1	51	945-117-0	Allen Head Bolt (M5 x 16)	8	86	990-972-0	O-Ring (SNS-4) (NOK)	1
17	173-104-0	Valve Rod	1	52	948-423-0	Allen Flush Head Screw (M3 x 6)	2	87	990-973-0	O-Ring (SNS-5) (NOK)	1
18	149-107-5	Valve Lever	1	53	954-005-0	Allen Head Cone Point Screw (M3 x 5)	1	87-1	990-917-0	O-Ring (SNS-24)	1
19	151-210-4	Reverse Valve	1	54	965-011-0	Heri-Sert (M5 x 1.5D)	8	88	996-418-0	Packing (15 x 9 x 1)	2
20	151-211-4	Reverse Valve Bushing	1	55	970-206-0	Pin (3 x 8)	4	89	909-915-0	Solenoid Valve Assembly	1
21	173-212-0	Reverse Valve Lever	1	56	970-208-0	Pin (3 x 10)	2	90	909-916-0	Joint Cable Assembly	1
22	149-285-5	Rear Plate	1	57	971-125-0	Pin (2 x 25)	1	91	909-918-0	Double-Row Socket (DF11-12DC)	1
23	163-286-0	Cylinder	1	57-1	973-007-0	Roll Pin (2 x 7)	1	92	909-733-0	Connector (RF-06)	1
24	163-287-0	Rotor	1	58	973-014-0	Roll Pin (2 x 14)	1	93	909-920-0	LED Lump Assembly	1
25	164-288-0	Blade	9	59	973-066-0	Roll Pin (2.5 x 6)	1				
26	163-289-0	Front Plate	1	60	973-068-0	Roll Pin (2.5 x 8)	1				
27	193-291-7	Rear Plate Spacer	1	61	973-340-0	Roll Pin (6 x 10)	2				
28	194-901-2	Liner Rear Plate	1	62	974-005-0	Key (3 x 6)	1				
29	194-902-2	Liner	1	63	975-157-0	Spacer (18.8 x 14.2 x 1.5) (H)	1				
30	149-319-8	Anvil	1	64	976-006-0	Spring (3 x 5) (0.4)	1				
31	194-440-2	Driving Blade	2	65	976-396-0	Spring (4.6 x 15) (0.55)	1				
32	149-904-8	Liner Front Cover	1	66	976-240-0	Spring (4.3 x 14) (0.4)	1				
33	163-905-0	Liner Casing	1	67	976-793-0	Spring (3.7 x 29) (0.5) WPC	2				
34	194-906-2	Liner Casing Cover	1	68	977-160-0	Cone Spring (7.4 x 14 x 20)	1				
35	194-907-2	Relief Valve Spindle	1	69	979-319-0	Snap Ring (IRTW-19)	1				

ACCESSORIES

Index Number	Part Number	Description	Qty.
94	904-190-0	Extension Bar (1/2 x 60)	1
95	953-205-0	Allen Head Flat Point Screw (M5 x 5)	1
96	971-220-0	Pin (3 x 20)	1
97	990-016-0	O-Ring (P16)	1
98	939-104-0	Allen Wrench (5mm)	1
99	939-091-0	Allen Wrench (1.5mm)	1
101	909-921-0	Sensor Cable Assembly (3F5)	1
120	004-790-2	Suspension Ring	1

FOOTNOTES

AIMCO also offers a complete line of standard & special adapters, bits, sockets and extensions.



When ordering spare parts, please specify tool type, part number and description.

10000 SE PINE, PORTLAND, OR 97216
503-254-6600 FAX 503-255-2615