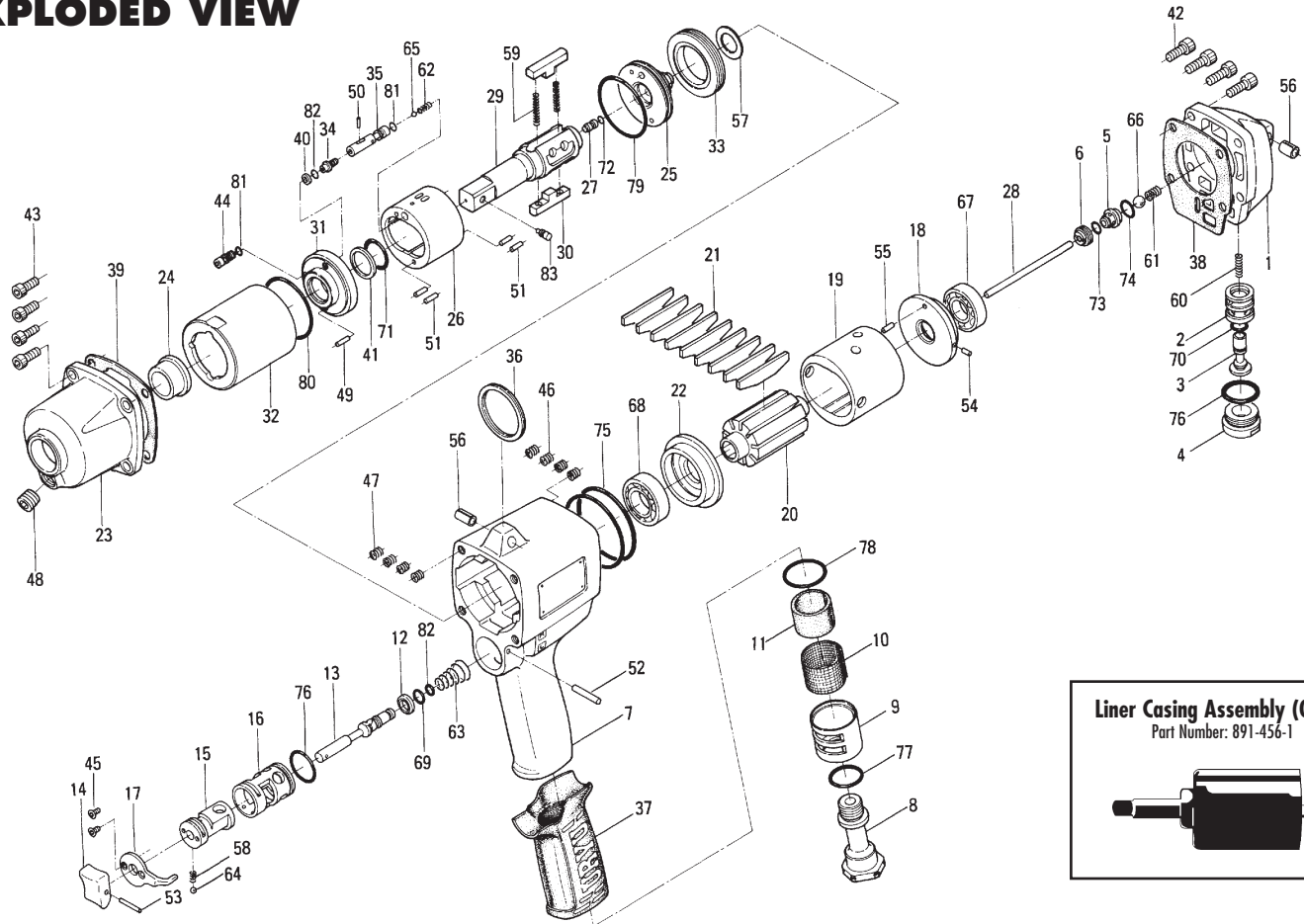


EXPLODED VIEW



PARTS LIST — FOR REFERENCE ONLY

Index Number	Part Number	Description	Qty.	Index Number	Part Number	Description	Qty.	Index Number	Part Number	Description	Qty.
1	152-012-2	Head Cover	1	32	194-905-4	Liner Casing	1	63	977-159-0	Cone Spring (7.2 x 13 x 20)	1
2	175-253-7	Shut-Off Valve Bushing	1	33	194-906-4	Liner Casing Setter	1	64	981-002-0	Ball (1/8)	1
3	175-254-7	Shut-Off Valve	1	34	175-907-9	Relief Valve Spindle	1	65	981-155-0	Ball (3.5)	1
4	175-927-9	Shut-Off Valve Cover	1	35	152-970-2	Relief Valve	1	66	981-006-0	Ball (1/4)	1
5	175-968-9	Pilot Valve Retainer	1	36	004-790-2	Suspension Ring	1	67	982-403-0	Ball Bearing (EE-4)	1
6	175-019-9	Valve Cover	1	37	173-842-0	Handle Cover	1	68	982-951-0	Ball Bearing (16003)	1
7	152-025-2	Handle	1	38	152-853-3	Head Cover Packing	1	69	990-002-0	O-Ring (P4)	1
8	173-091-0	Air Inlet Bushing	1	39	194-867-4	Front Casing Packing	1	70	990-004-0	O-Ring (P6)	1
9	173-780-0	Exhaust Stack	1	40	944-205-0	Supporting Ring (5.1 x 7 x 1)	1	71	990-156-0	O-Ring (P16) (NTN)	1
10	173-042-0	Silencer	1	41	944-215-0	Supporting Ring (16 x 19.9 x 1.5)	1	72	990-320-0	O-Ring (ARP568-003)	1
11	173-835-0	Filter	1	42	945-117-0	Allen Head Bolt (M5 x 16)	4	73	990-901-0	O-Ring (SNS-3)	1
12	173-100-0	Valve	1	43	945-216-0	Allen Head Bolt (M6 x 16)	4	74	990-907-0	O-Ring (SNS-9)	1
13	173-104-0	Valve Rod	1	44	945-942-0	Allen Head Bolt (M4 x 6)	1	75	990-611-0	O-Ring (51.5 x 2)	2
14	177-107-5	Valve Lever	1	45	948-423-0	Allen Flush Head Bolt (M3 x 6)	2	76	990-914-0	O-Ring (SNS-16)	2
15	151-210-4	Reverse Valve	1	46	965-011-0	Heli-Sert (M5 x 1.5D)	4	77	990-916-0	O-Ring (SNS-18)	1
16	151-211-4	Reverse Valve Bushing	1	47	965-021-0	Heli-Sert (M6 x 1.5D)	4	78	990-921-0	O-Ring (SNS-22.4)	1
17	173-212-0	Reverse Lever	1	48	966-100-0	Allen Head Plug (1/8)	1	79	990-930-0	O-Ring (SNS-40)	1
18	163-285-2	Rear Plate	1	49	969-450-0	Pin (G) (3 x 8)	1	80	990-932-0	O-Ring (SNS-42)	1
19	163-286-2	Cylinder	1	50	970-093-0	Pin (H) (2 x 6)	1	81	990-971-0	O-Ring (SNS-3) (NOK)	2
20	152-287-2	Rotor	1	51	970-206-0	Pin (H) (3 x 8)	4	82	990-972-0	O-Ring (SNS-4) (NOK)	2
21	173-288-0	Blade	9	52	971-125-0	Pin (2 x 25)	1	83	891-304-1	Socket Pin Assembly (1/2)	1
22	163-289-2	Front Plate	1	53	973-014-0	Roll Pin (2 x 14)	1				
23	194-439-4	Front Casing	1	54	973-066-0	Roll Pin (2.5 x 6)	1				
24	189-328-8	Anvil Bushing	1	55	973-108-0	Roll Pin (3 x 8)	1				
25	175-901-7	Rear Liner Plate	1	56	973-340-0	Roll Pin (6 x 10)	2				
26	175-902-7	Liner	1	57	975-780-0	Adjusting Spacer (21 x 13 x T)	1				
27	175-546-9	Piston	1	58	976-006-0	Spring (3 x 5) (0.4)	1				
28	152-130-2	Piston Rod	1	59	976-453-0	Spring (4.5 x 34.5) (0.6)	2				
29	891-312-1	Anvil (OP-P)	1	60	976-274-0	Spring (5.2 x 15) (0.55)	1				
30	194-440-4	Driving Blade	2	61	976-276-0	Spring (6.7 x 12) (0.7)	1				
31	175-904-7	Front Liner Plate	1	62	977-022-0	Cone Spring (3.8 x 4.5 x 8) (0.6)	1				

Liner Casing Assembly (OP-P)
Part Number: 891-456-1

ACCESSORIES

85	939-104-0	Allen Wrench (5mm)	1
86	939-109-0	Allen Wrench (2mm)	1

AIMCO also offers a complete line of standard & special adapters, bits, sockets and extensions.

FOOTNOTES



AIMCO

When ordering spare parts, please specify tool type, part number and description.
10000 SE PINE, PORTLAND, OR 97216
503-254-6600 FAX 503-255-2615