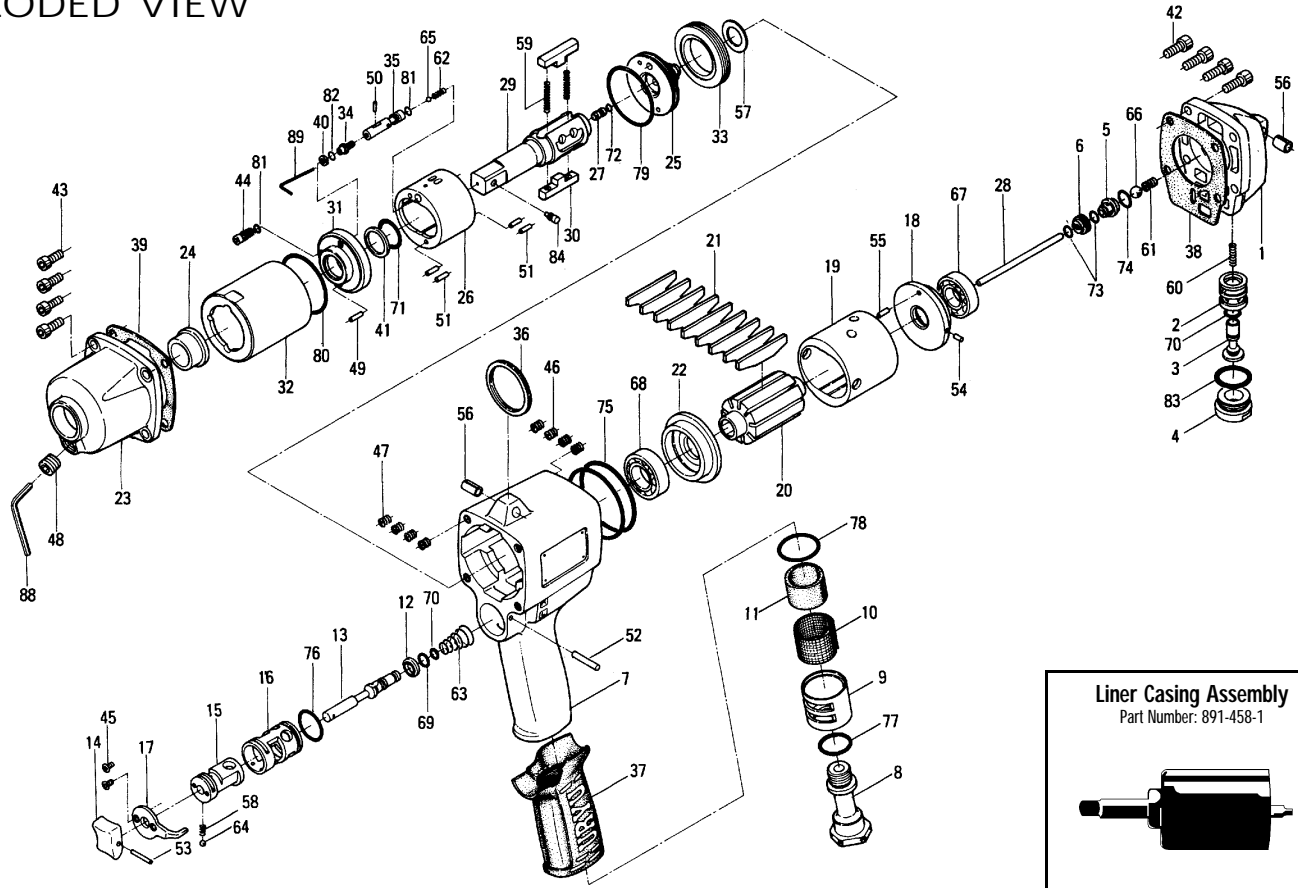


ALPHA T130 OIL-PULSE TOOLS

EXPLODED VIEW



PARTS LIST — FOR REFERENCE ONLY

Index Number	Part Number	Description	Qty.	Index Number	Part Number	Description	Qty.	Index Number	Part Number	Description	Qty.
1	152-012-4	Head Cover	1	31	175-904-7	Front Liner Plate	1	61	976-275-0	Spring (6.7 x 12) (0.7)	1
2	175-253-7	Shut-off Valve Bushing	1	32	194-905-6	Liner Casing	1	62	977-006-0	Cone Spring (3.6 x 4.3 x 8) (0.6)	1
3	175-254-7	Shut-off Valve	1	33	194-906-4	Liner Casing Setter	1	63	977-254-0	Cone Spring (10 x 15 x 16)	1
4	175-927-9	Shut-off Valve Cover	1	34	175-907-9	Relief Valve Spindle	1	64	981-002-0	Ball (1/8)	1
5	175-968-9	Pilot Valve Retainer	1	35	152-970-4	Relief Valve	1	65	981-155-0	Ball (3.5)	1
6	175-019-9	Valve Cover	1	36	004-790-2	Suspension Ring	1	66	981-006-0	Ball (1/4)	1
7	152-025-4	Handle	1	37	173-842-0	Handle Cover	1	67	982-404-0	Ball Bearing (EE5)	1
8	163-091-4	Air Inlet Bushing	1	38	152-853-4	Head Cover Packing	1	68	982-905-0	Ball Bearing (6904)	1
9	163-780-3	Exhaust Stack	1	39	194-867-6	Front Casing Packing	1	69	990-002-0	O-Ring (P4)	1
10	163-042-3	Silencer	1	40	944-205-0	Supporting Ring (5.1 x 7 x 1)	1	70	990-004-0	O-Ring (P6)	2
11	152-835-4	Filter	1	41	944-215-0	Supporting Ring (16 x 19.9 x 1.5)	1	71	990-156-0	O-Ring (P16) (NTN)	1
12	163-100-3	Valve	1	42	945-116-0	Allen Head Bolt (M5 x 16)	4	72	990-320-0	O-Ring (ARP568-003)	1
13	163-104-3	Valve Rod	1	43	945-216-0	Allen Head Bolt (M6 x 16)	4	73	990-901-0	O-Ring (SNS-3)	2
14	177-107-5	Valve Lever	1	44	945-942-0	Hexagon Round Head Bolt (M4 x 6)	1	74	990-907-0	O-Ring (SNS-9)	1
15	152-210-4	Reverse Valve	1	45	948-423-0	Allen Flush Head Screw (M3 x 6)	2	75	990-316-0	O-Ring (ARP568-035)	2
16	163-211-3	Reverse Valve Bushing	1	46	965-011-0	Heli-Sert (M5 x 1.5D)	4	76	990-916-0	O-Ring (SNS-18)	1
17	163-212-3	Reverse Lever	1	47	965-021-0	Heli-Sert (M6 x 1.5D)	4	77	990-918-0	O-Ring (SNS-20)	1
18	163-285-3	Rear Plate	1	48	966-100-0	Allen Head Plug (1/8)	1	78	990-920-0	O-Ring (SNS-25)	1
19	163-286-3	Cylinder	1	49	969-450-0	Pin (G) (3 x 8)	1	79	990-930-0	O-Ring (SNS-40)	1
20	152-287-4	Rotor	1	50	970-093-0	Pin (H) (2 x 6)	1	80	990-932-0	O-Ring (SNS-42)	1
21	152-288-4	Blade (PC)	9	51	970-206-0	Pin (H) (3 x 8)	4	81	990-971-0	O-Ring (SNS-3) (NOK)	2
22	163-289-3	Front Plate	1	52	971-126-0	Pin (2 x 26)	1	82	990-972-0	O-Ring (SNS-4)	1
23	194-439-6	Front Casing	1	53	973-014-0	Roll Pin (2 x 14)	1	83	990-914-0	O-Ring (SNS-16)	1
24	189-328-6	Anvil Bushing	1	54	973-066-0	Roll Pin (2.5 x 6)	1	84	891-304-1	Socket Pin Assembly	1
25	152-901-4	Rear Liner Plate	1	55	973-212-0	Roll Pin (4 x 12)	1				
26	166-902-3	Liner	1	56	973-340-0	Roll Pin (6 x 10)	2				
27	175-546-9	Piston	1	57	975-812-0	Adjusting Spacer (22 x 15 x T)	1				
28	175-130-9	Piston Rod	1	58	976-006-0	Spring (3 x 5) (0.4)	1				
29	891-313-1	Anvil (OP-P)	1	59	976-453-0	Spring (4.5 x 34.5) (0.6)	2				
30	194-440-7	Driving Blade	2	60	976-274-0	Spring (5.2 x 15) (0.55)	1				

Liner Casing Assembly
Part Number: 891-458-1

ACCESSORIES

88	939-104-0	Allen Wrench (5mm)	1
89	939-109-0	Allen Wrench (2mm) (64 x 64)	1

FOOTNOTES

AIMCO also offers a complete line of standard & special adapters, bits, sockets and extensions.



When ordering spare parts, please specify tool type, part number and description.
10000 SE PINE, PORTLAND, OR 97216
503-254-6600 FAX 503-255-2615