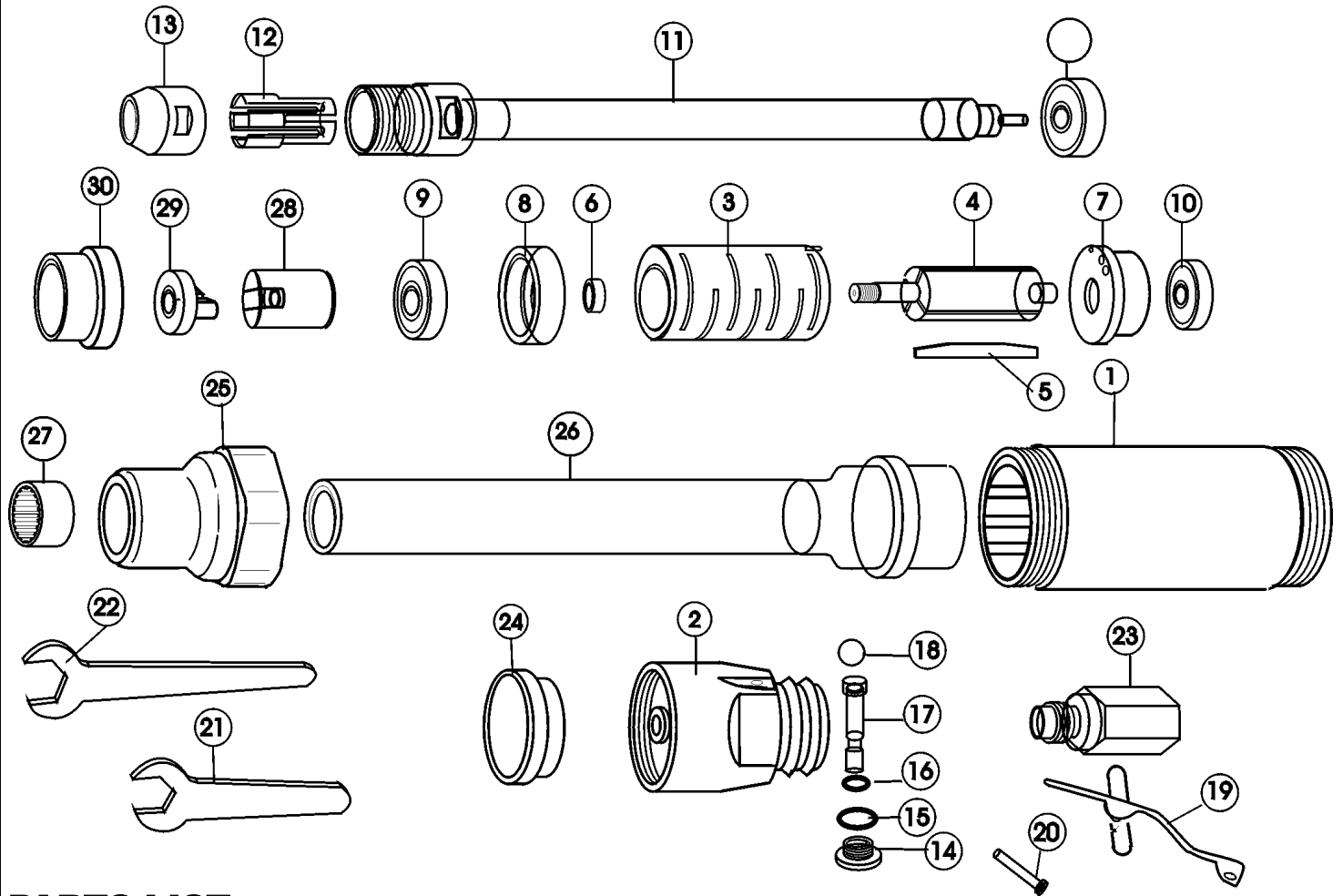


# P25XLR EXTENDED DIE GRINDER

## EXPLODED VIEW ONLY



## PARTS LIST – FOR REFERENCE ONLY

Index Number	Part Number	Description	Qty.	Index Number	Part Number	Description	Qty.	Index Number	Part Number	Description	Qty.
1	121-108-20	Body	1	14	A245	Throttle Plug	1	26	121-105-10	Front Body	1
2	278-102-20	Throttle Housing	1	15	A247	O Ring	1	27	150-129-00	Bearing	1
3	A852	Cylinder	1	16	A246	O Ring	1	28	525-103-10	Female Coupling	1
4	A853	Rotor	1	17	A244	Valve Stem	1	29	525-104-10	Male Coupling	1
5	A094	Vanes	4	18	A248	Valve Ball	1	30	233-102-10	Spacer	1
6	A092	Spacer	1	19	A650	Safety Lever	1	31	A360	Bearing	1
7	A854	Rear Bearing Housing	1	20	A141	Lever Pin	1	32	A945	Exhaust Hose	1
8	A855	Front Bearing Housing	1	21	A611	Chuck Spanner	1	33	277-104-10	Exhaust Hose Retainer	1
9	A605	Front Bearing	1	22	A612	Cap Nut Spanner	1				
10	A098	Rear Bearing	1	23	A357	Hose Connector	1				
11	275-103-10	Chuck Spindle	1	24	525-101-10	Rear Spacer	1				
13	A608	Cap Nut	1	25	525-105-10	Body Coupling	1				

### TECHNICAL DATA

	RPM Free Speed	M <sup>3</sup> /Min Max Air Flow	kg Weight	dB(A) Sound Pressure Level	m/s <sup>2</sup> Vibration Value
P25XLR	25,000	.63	.65	<85	<2.5

### FOOTNOTES

When ordering spare parts, please specify tool type, part number and description

10000 SE PINE, PORTLAND, OR 97216  
503-254-1749 FAX 503-256-4026

REVISED 7/99

