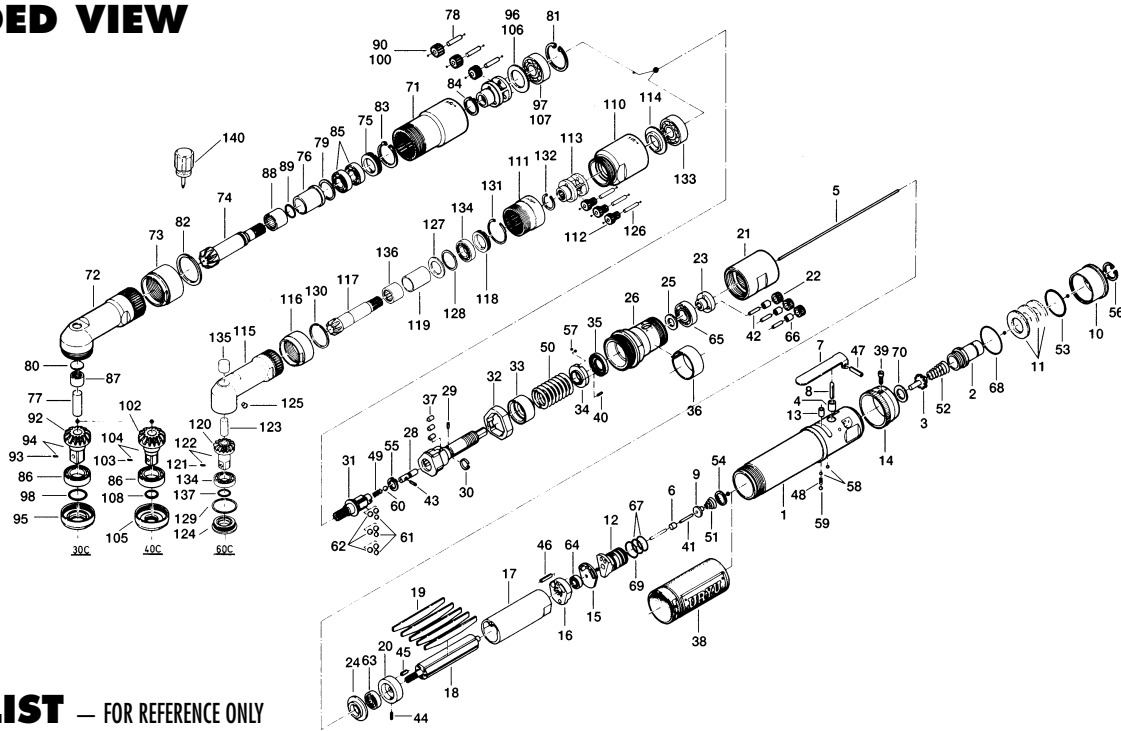


# UAN-701R-30C, 40C & 60C TORQUE CONTROL ANGLE NUTRUNNERS

## EXPLODED VIEW



## PARTS LIST — FOR REFERENCE ONLY

Index Number	Part Number	Description	Qty.	Index Number	Part Number	Description	Qty.	Index Number	Part Number	Description	Qty.
1	269-025-5	Casing	1	50	976-579-0	Spring (26 x 43.5 x 4.0)	1	97	982-201-0	Ball Bearing (6201)	1
2	259-091-6	Air Inlet Bushing	1	51	977-072-0	Cone Spring (5.5 x 15 x 14)	1	98	990-156-0	O-Ring (P16NTN)	1
3	259-100-6	Valve	1	52	977-275-0	Cone Spring (11 x 14 x 32)	1	31	269-346-6	Cam	1
4	553-103-1	Valve Rod Bushing	1	53	978-337-0	Snap Ring (34 x 1.4 x 13)	1	100	612-470-2	First Planet Gear	1
5	269-104-5	Valve Rod	1	54	979-008-0	Inner Snap Ring (15)	1	101	259-485-6	Second Gear Cage	1
6	444-106-8	Valve Rod Cap	1	55	979-351-0	Inner Snap Ring (ISTW-10)	1	102	269-430-6	Driven Gear (O)	1
7	196-107-7	Valve Lever	1	56	979-358-0	Inner Snap Ring (ISTW-17)	1	103	891-300-1	Socket Retainer Pin Assy	1
8	259-114-0	Valve Spindle	1	57	981-001-0	Ball (3/32)	2	104	895-043-1	Driven Gear Assy (P)	1
9	259-254-6	Shut-Off Valve	1	58	981-002-0	Ball (1/8)	2	105	259-488-6	Angle Casing Setter	1
10	259-780-6	Exhaust Stack	1	59	981-003-0	Ball (5/32)	1	106	975-245-0	Spacer (32 x 24 x 2.5H)	1
11	259-835-6	Filter	3	60	981-004-0	Ball (3/16)	1	107	982-102-0	Ball Bearing (6002)	1
12	269-210-5	Reverse Valve	1	61	981-005-0	Ball (7/32)	3	108	990-910-0	O-Ring (SNS-12.5)	1
13	268-211-6	Reverse Valve Bushing	1	62	981-006-0	Ball (1/4)	6	31	269-346-7	Cam	1
14	268-212-6	Reverse Lever	1	63	982-021-0	Ball Bearing (626)	1	110	269-381-7	Cam Casing	1
15	268-291-7	Rear Plate Spacer	1	64	982-033-0	Ball Bearing (696)	1	111	259-466-0	Second Internal Gear	1
16	259-285-6	Rear Plate	1	65	982-101-0	Ball Bearing (6001)	1	112	268-471-9	Second Planet Gear	1
17	269-286-5	Cylinder	1	66	988-590-0	Needle Roller Bearing (KT367N)	1	113	268-485-9	Second Gear Cage	1
18	269-287-5	Rotor	1	67	990-590-0	O-Ring (17 x 1)	2	114	269-487-7	Second Gear Cage Spacer	1
19	269-288-5	Blade (PC)	5	68	990-603-0	O-Ring (28.5 x 1.3)	1	115	268-441-6	Angle Casing	1
20	269-289-5	Front Plate	1	69	990-914-0	O-Ring (SNS-16)	1	116	259-081-0	Locking Nut	1
21	269-465-5	First Internal Gear	1	70	996-433-0	Urethane Packing (19 x 12 x 1)	1	117	268-420-6	Driving Gear	1
22	259-470-6	First Planet Gear	3	71	269-466-5	Second Internal Gear	1	118	259-426-0	Driving Gear Spindle Retainer Screw	1
23	259-480-6	First Gear Cage	1	72	269-441-5	Angle Casing	1	119	259-567-2	Bushing	1
24	259-807-6	Spacer	1	73	259-081-6	Locking Nut	1	120	268-430-6	Driven Gear (O)	1
25	408-483-0	Gear Cage Spacer	1	74	269-420-5	Driving Gear	1	121	891-300-1	Socket Retainer Pin Assy	1
26	269-369-5	Clutch Casing	1	75	259-426-0	Driving Gear Spindle Retainer Screw	1	122	895-044-1	Driven Gear Assy (P)	1
27	269-654-5	Cam Guide	1	76	259-427-6	Driving Gear Spindle Retainer Spacer	1	123	972-320-0	Driven Gear Spindle (8x20)	1
28	268-318-6	Pilot Pin	1	77	269-431-5	Driven Gear Retainer	1	124	268-488-6	Angle Casing Setter	1
29	471-764-7	Notch Pin	1	78	972-120-0	Roller Pin (4 x 19)	3	125	968-130-0	Grease Cup (3/16)	1
30	471-670-7	Band	1	79	975-806-0	Adjusting Spacer (24 x 20 x t)	1	126	972-107-0	Roller Pin (3.5 x 21.8F)	1
32	269-375-5	Cam Ring	1	80	975-596-0	Round Plate (14 x 1)	1	127	975-166-0	Spacer (24 x 16 x 1.5)	1
33	269-164-5	Spring Setter	1	81	979-025-0	Inner Snap Ring (32)	1	128	975-806-0	Adjusting Spacer (24 x 20 x t)	1
34	269-562-5	Stopper	1	82	979-194-0	Outer Snap Ring (32)	1	129	975-807-0	Adjusting Spacer (28 x 25 x t)	1
35	259-257-6	Regulator Screw	1	83	979-207-0	Snap Ring (30)	1	130	978-308-0	Snap Ring (30 x 1.6)	1
36	259-670-0	Band	1	84	979-358-0	Inner Snap Ring (ISTW-17)	1	131	979-206-0	Snap Ring (28)	1
37	269-651-5	Cam Roller	1	85	982-902-0	Ball Bearing (6901)	2	132	979-358-0	Inner Snap Ring (ISTW-17)	1
38	269-840-5	Casing Protector	1	86	982-904-0	Ball Bearing (6903)	1	133	982-102-0	Ball Bearing (6002)	1
39	945-001-0	Allen Head Bolt (M3 x 10)	1	87	988-388-0	Needle Roller Bearing (F1010)	1	134	982-902-0	Ball Bearing (6901)	1
40	970-091-0	Pin (H) (2 x 4.5)	1	88	988-389-0	Needle Roller Bearing (F1616)	1	135	988-480-0	Needle Roller Bearing (NF-1416)	1
41	970-104-0	Pin (H) (2 x 21.5)	1	89	990-910-0	O-Ring (SNS-12.5)	1	136	988-393-0	Needle Roller Bearing (NF-1416)	1
42	972-094-0	Roller Pin (3 x 14)	3	31	269-346-5	Cam	1	137	990-910-0	O-Ring (SNS-12.5)	1
43	969-470-0	Pin (E) (2 x 8)	1	90	269-471-5	Second Planet Gear	1	140	939-402-0	Manual Driver (No.2)	1
44	973-007-0	Roll Pin (2 x 7)	1	91	269-485-5	Second Gear Cage	1				
45	973-108-0	Roll Pin (3 x 8)	1	92	269-430-5	Driven Gear (O)	1				
46	973-116-0	Roll Pin (3 x 16)	1	93	891-304-1	Socket Retainer Pin Assembly	1				
47	973-124-0	Roll Pin (3 x 24)	1	94	895-076-1	Driven Gear Assembly (P)	1				
48	976-022-0	Spring (3 x 5.5 x 0.4)	1	95	269-488-5	Angle Casing Setter	1				
49	976-058-0	Spring (4.5 x 11 x 0.4)	1	96	975-249-0	Spacer (32 x 21 x 1.5H)	1				

## ACCESSORIES

### FOOTNOTES

- = Parts for UAN-701R-30C & 40C
- ◆ = Parts for UAN-701R-30C
- ✕ = Parts for UAN-701R-40C
- = Parts for UAN-701R-60C

AIMCO also offers a complete line of standard & special adapters, bits, sockets and extensions.



# AIMCO

When ordering spare parts, please specify tool type, part number and description.

10000 SE PINE, PORTLAND, OR 97216  
503-254-6600 FAX 503-255-2615