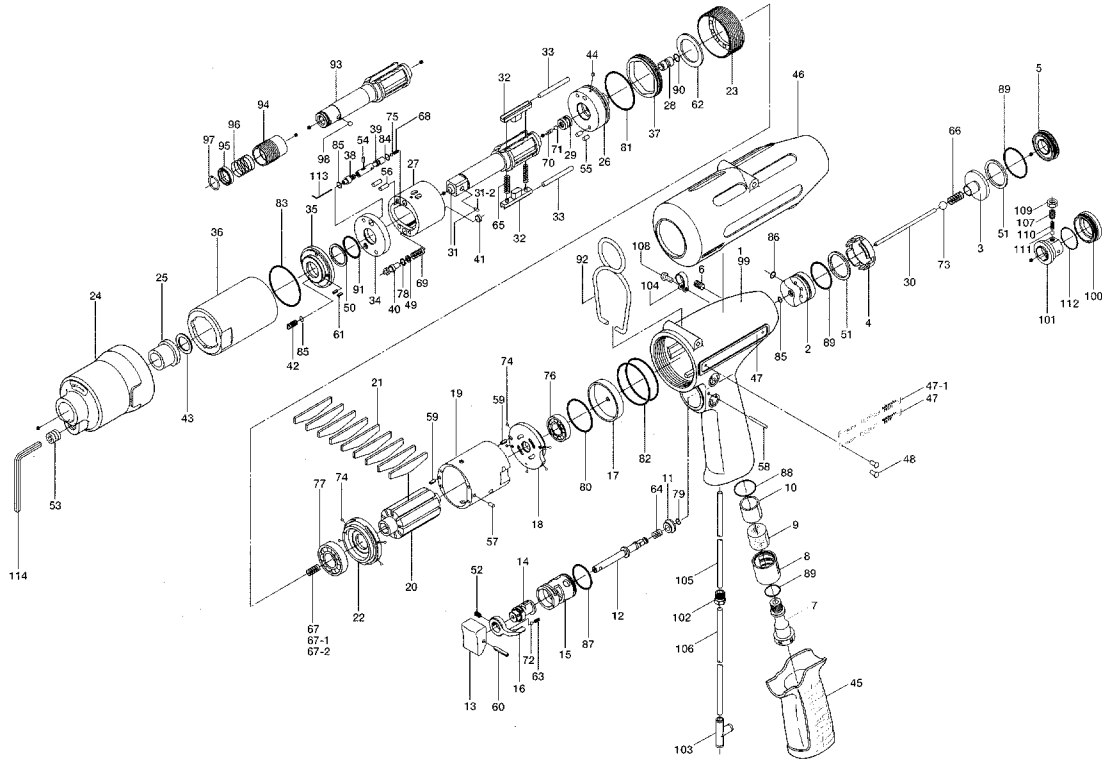


ULT40(D) SERIES OIL-PULSE WRENCHES

EXPLODED VIEW



PARTS LIST — FOR REFERENCE ONLY

Index Number	Part Number	Description	Qty.	Index Number	Part Number	Description	Qty.	Index Number	Part Number	Description	Qty.
1	145-025-0	HANDLE	1	46	145-840-6	BODY JACKET	1	89	990-916-0	O-RING (SNS-18)	3
2	145-253-0	SHUT-OFF VALVE BUSHING	1	47	148-924-0	NAME PLATE(ULT40)	1	90	990-305-0	O-RING (ARPS68-003)	1
3	145-254-6	SHUT-OFF VALVE	1	47-1	147-924-0	NAME PLATE (ULT40D)	1	91	992-020-0	SU-RING(SU-Q12)	1
4	145-684-6	CUSHION SPACER	1	48	930-205-0	SCREW (NO.0X2.6)	1	92	174-790-0	SUSPENSION RING	1
5	145-019-6	VALVE COVER	1	49	944-002-0	SUPPORTING RING (2.6X4.5X1)	1	PARTS FOR ULT40D			
6	150-108-5	VALVE PLUG	1	50	944-212-0	SUPPORTING RING (12X16X1.5)	1	93	145-350-7	DRIVER ANVIL	1
7	147-091-2	AIR INLET BUSHING	1	51	944-217-0	SUPPORTING RING (14X20X1.8)	2	94	011-351-1	BIT SLEEVE	1
8	147-780-3	EXHAUST DEFLECTOR	1	52	952-106-0	ALLEN HEAD DOG POINT SCREW (M4X6)	1	95	011-352-1	BIT SPACER	1
9	147-042-2	SILENCER	1	53	966-099-0	ALLEN HEAD PLUG (NPT 1/16)	1	96	976-327-0	SPRING (13.5X11)(0.9)	1
10	145-835-3	FILTER (K200)	1	54	970-013-0	PIN (H) (1.5X4)	1	97	978-117-0	SNAP RING (11.7X1.0)	1
11	147-100-2	VALVE	1	55	970-130-0	PIN (H) (2.45X4.5)	2	98	981-002-0	BALL (1/8)	1
12	142-104-6	VALVE ROD	1	56	970-131-0	PIN (H) (2.5X9.5)	2	PARTS FOR (TM)-TYPE			
13	147-107-2	VALVE LEVER	1	57	971-102-0	PIN (2X3.8)	1	99	851-030-1	HANDLE	1
14	147-210-2	REVERSE VALVE	1	58	971-123-0	PIN (2X23)	1	100	851-017-1	VALVE COVER	1
15	147-211-2	REVERSE VALVE BUSHING	1	59	973-008-0	ROLL PIN (2X8)	2	101	851-018-1	VALVE SPACER	1
16	480-212-8	REVERSE LEVER	1	60	973-014-0	ROLL PIN (2X14)	1	102	850-610-1	CONNECTING SCREW	1
17	145-291-6	REAR PLATE SPACER	1	61	973-040-0	ROLL PIN (1.5X5)	2	103	909-442-0	QUICK EXHAUST (AQ240F-04-00)	1
18	145-285-6	REAR PLATE	1	62	975-752-0	ADJUSTING SPACER (15X10XT)	1	104	929-050-0	COUPLING	1
19	145-286-0	CYLINDER	1	63	976-006-0	SPRING (3X5)(0.4)	1	105	935-240-0	NYLON TUBE (18NY)	1
20	145-287-0	ROTOR	1	64	976-457-0	SPRING (7X12)(0.9)	1	106	935-350-0	POLYURETHANE HOSE (F1504)	1
21	145-288-0	BLADE (PC)	9	65	976-791-0	SPRING (3.3X21)(0.8) WPC	2	107	953-108-0	ALLEN HEAD FLAT POINT SCREW (M4X8)	1
22	145-289-6	FRONT PLATE	1	66	976-683-0	SPRING (4.2X9)(0.35)	1	108	957-006-0	CROSS PAN HEAD SCREW (M3X6)	1
23	147-036-2	HAMMER CASING CONNECTOR	1	67	976-650-0	SPRING (3.3X16)(0.4)	1	109	960-030-0	HEXAGON NUT (3-M4)	1
24	145-439-0	FRONT CASING	1	67-1	976-661-0	SPRING(3.3X17) (0.4) [WEAKER]	1	110	976-279-0	SPRING (2.5X8)(0.35)	1
25	190-328-6	ANVIL BUSHING	1	67-2	976-684-0	SPRING(3.3X17) (0.35) [WEAKEST]	1	111	981-225-0	BALL (2.5mm)	1
26	145-901-0	REAR LINER PLATE	1	68	976-685-0	SPRING (2.8X7)(0.35)	1	112	990-916-0	O-RING (SNS-18)	1
27	145-902-0	LINER	1	69	976-674-0	SPRING (4.3X14)(0.55)	1	ACCESSORIES			
28	145-546-6	PISTON	1	70	976-651-0	SPRING (2.4X5)(0.23)	1	113	939-091-0	ALLEN WRENCH(1.5mm)	1
29	145-929-6	CHECK VALVE COVER	1	71	981-001-0	BALL (3/32)	1	114	939-105-0	ALLEN WRENCH (4mm)	1
30	145-130-0	OPERATING ROD (2.1 X 52)	1	72	981-002-0	BALL (1/8)	1	FOOTNOTES			
31	891-554-1	ANVIL (OP-P)	1	73	981-003-0	BALL (5/32)	1	AIMCO also offers a complete line of standard & special adapters, bits, sockets and extensions.			
31-2	891-300-1	SOCKET PIN ASSEMBLY (3/8)	1	74	981-045-0	BALL (1.5)	9				
32	145-440-0	DRIVING BLADE	2	75	981-150-0	BALL (3)	1				
33	145-974-6	ROLLER PIN (2.5X21)	2	76	982-014-0	BALL BEARING (607)	1				
34	145-973-6	LINER CASING SPACER	1	77	982-902-0	BALL BEARING (6901)	1				
35	145-904-6	FRONT LINER PLATE	1	78	990-320-0	O-RING (ARPS68-003)	1				
36	145-905-0	LINER CASING	1	79	990-323-0	O-RING (ARP568-004)	1				
37	145-906-6	LINER CASING COVER	1	80	990-327-0	O-RING (JW1530-18)	1				
38	145-907-6	RELIEF VALVE SPINDLE	1	81	990-329-0	O-RING (JW1530-19)	1				
39	145-970-0	RELIEF VALVE	1	82	990-337-0	O-RING (JW1530-27)	2				
40	145-972-6	ACCUMULATOR	1	83	990-605-0	O-RING (25X1.45)	1				
41	145-908-7	ACCUMULATOR COVER	1	84	990-621-0	O-RING (3.8X1.8X1.0)	1				
42	194-742-0	OIL PLUG	1	85	990-900-0	O-RING (SNS-2)	3				
43	145-327-6	ANVIL FRONT SPACER	1	86	990-901-0	O-RING (SNS-3)	1				
44	150-064-5	PLUG	1	87	990-912-0	O-RING (SNS-14)	1				
45	147-842-2	HANDLE COVER	1	88	990-914-0	O-RING (SNS-16)	1				



When ordering spare parts, please specify tool type, part number and description.

10000 SE PINE, PORTLAND, OR 97216
503-254-6600 FAX 503-255-2615

AIMCO also offers a complete line of standard & special adapters, bits, sockets and extensions.