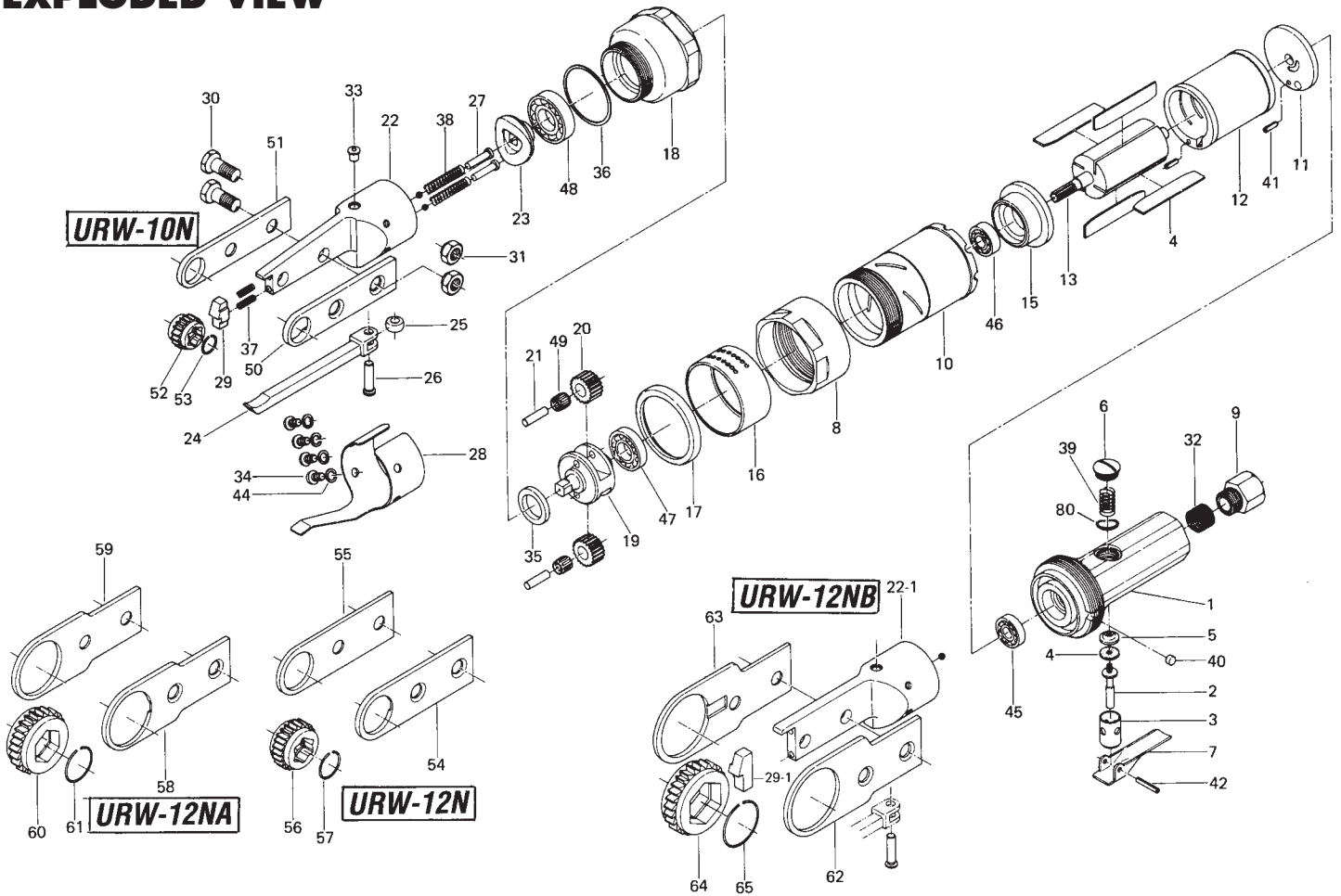


# URW-10N, URW-12N, URW-12NA & URW-12NB RATCHET WRENCHES

## EXPLODED VIEW



## PARTS LIST — FOR REFERENCE ONLY

| Index Number | Part Number | Description                         | Qty. | Index Number | Part Number | Description                       | Qty. | Index Number                | Part Number | Description                   | Qty. |
|--------------|-------------|-------------------------------------|------|--------------|-------------|-----------------------------------|------|-----------------------------|-------------|-------------------------------|------|
| 1            | 203-011-2   | Handle                              | 1    | 30           | 201-666-1   | Rod Guide Bolt                    | 2    | 61                          | 978-281-0   | Snap Ring (23 x 1.2 x 9)      | 1 ●  |
| 2            | 203-100-1   | Valve                               | 1    | 31           | 201-667-1   | Rod Guide Nut                     | 2    | 62                          | 218-665-1   | Rod Guide (Left)              | 1 X  |
| 3            | 203-102-1   | Valve Bushing                       | 1    | 32           | 965-073-0   | Helix-Sert (UNF5/8 x N6)          | 1    | 63                          | 218-664-1   | Rod Guide (Right)             | 1 X  |
| 4            | 996-415-0   | Packing (13 x 3.2 x 18)             | 1    | 33           | 968-131-0   | Grease Cup (1/4)                  | 1    | 64                          | 218-656-1   | Ratchet (30mm)                | 1 X  |
| 5            | 203-121-1   | Valve Packing Nut                   | 1    | 34           | 948-208-0   | Round Head Screw (M5 x 8)         | 4    | 65                          | 978-337-0   | Snap Ring (34 x 1.4 x 13)     | 1 X  |
| 6            | 203-108-1   | Valve Plug                          | 1    | 35           | 975-185-0   | Spacer (26 x 17 x 4)              | 1    | <b>optional ACCESSORIES</b> |             |                               |      |
| 7            | 203-107-1   | Valve Lever                         | 1    | 36           | 975-875-0   | Adjusting Spacer (44 x 40.2 x 1)  | 1    | 70                          | 203-656-1   | Ratchet (12mm) URW-10N        | 1    |
| 8            | 203-736-1   | Handle Nut                          | 1    | 37           | 976-065-0   | Spring (4.7 x 32)                 | 2    | 70-1                        | 978-140-0   | Snap Ring (14 x 1) URW-10N    | 1    |
| 9            | 185-091-7   | Air Inlet Bushing                   | 1    | 38           | 976-119-0   | Spring (6 x 40)                   | 2    | 71                          | 208-656-1   | Ratchet (13mm) URW-10N        | 1    |
| 10           | 203-025-1   | Casing                              | 1    | 39           | 976-232-0   | Spring (9.5 x 18)                 | 1    | 71-1                        | 978-156-0   | Snap Ring (15.5 x 1) URW-10N  | 1    |
| 11           | 203-285-1   | Rear Plate                          | 1    | 40           | 971-503-0   | Pin (6 x 3)                       | 1    | 72                          | 213-656-1   | Ratchet (14mm) URW-10N        | 1    |
| 12           | 203-286-1   | Cylinder                            | 1    | 41           | 973-110-0   | Roll Pin (3 x 10)                 | 2    | 72-1                        | 978-171-0   | Snap Ring (17 x 1.4) URW-10N  | 1    |
| 13           | 203-287-1   | Rotor                               | 1    | 42           | 973-120-0   | Roll Pin (3 x 2)                  | 1    | 73                          | 223-656-1   | Ratchet (17mm) URW-12N        | 1    |
| 14           | 203-288-1   | Blade                               | 4    | 44           | 962-008-0   | Spring Washer (2-55)              | 4    | 73-1                        | 978-200-0   | Snap Ring (20 x 1.2) URW-12N  | 1    |
| 15           | 203-289-1   | Front Plate                         | 1    | 45           | 982-022-0   | Ball Bearing (627)                | 1    | 74                          | 204-656-1   | Ratchet (19mm) URW-12N        | 1    |
| 16           | 203-782-1   | Exhaust Deflector                   | 1    | 46           | 982-015-0   | Ball Bearing (608)                | 1    | 74-1                        | 978-228-0   | Snap Ring (23 x 1.0) URW-12N  | 1    |
| 17           | 203-785-1   | Exhaust Deflector Locking Ring      | 1    | 47           | 982-403-0   | Ball Bearing (EE-4)               | 1    | 75                          | 858-818-1   | Ratchet (22mm) URW-12N        | 1    |
| 18           | 203-029-1   | Gear Casing                         | 1    | 48           | 989-012-0   | Ball Bearing (E-15) (Magnet Type) | 1    | 75-1                        | 978-250-0   | Snap Ring (25 x 1.4) URW-12N  | 1    |
| 19           | 203-480-1   | Gear Cage                           | 1    | 49           | 988-102-0   | Needle Roller Bearing (B36)       | 2    | 76                          | 220-656-1   | Ratchet (23mm) URW-12N        | 1    |
| 20           | 203-470-1   | Planet Gear                         | 2    | 80           | 990-908-0   | O-Ring (SNS10)                    | 1    | 76-1                        | 978-260-0   | Snap Ring (26 x 1.4) URW-12NA | 1    |
| 21           | 203-473-1   | Planet Gear Pin                     | 2    | 50           | 203-665-1   | Rod Guide (Left)                  | 1    | 77                          | 216-656-1   | Ratchet (24mm) URW-12NA       | 1    |
| 22           | 203-381-1   | Cam Casin (for URW-10N, 12N & 12NA) | 1    | 51           | 203-664-1   | Rod Guide (Right)                 | 1    | 77-1                        | 978-280-0   | Snap Ring (28 x 1.4) URW-12NA | 1    |
| 22-1         | 218-381-1   | Cam Casing (for URW-12NB)           | 1    | 52           | 214-656-1   | Ratchet (17mm)                    | 1    | 78                          | 217-656-1   | Ratchet (27mm) URW-12NA       | 1    |
| 23           | 203-346-1   | Cam                                 | 1    | 53           | 978-203-0   | Snap Ring (20 x 1.0 x 7.5)        | 1    | 78-1                        | 978-320-0   | Snap Ring (32 x 1.4) URW-12NB | 1    |
| 24           | 203-650-1   | Rod                                 | 1    | 54           | 204-665-1   | Rod Guide (Left)                  | 1    | 79                          | 219-656-1   | Ratchet (32mm) URW-12NB       | 1    |
| 25           | 201-651-1   | Cam Roller                          | 1    | 55           | 204-664-1   | Rod Guide (Right)                 | 1    | 79-1                        | 978-380-0   | Snap Ring (38 x 1.5) URW-12NB | 1    |
| 26           | 218-652-1   | Cam Roller Pin                      | 2    | 56           | 215-656-1   | Ratchet (21mm)                    | 1    |                             |             |                               |      |
| 27           | 201-653-1   | Cam Roller Push Pin                 | 1    | 57           | 978-228-0   | Snap Ring (23 x 1.0 x 8.5)        | 1    |                             |             |                               |      |
| 28           | 203-663-1   | Rod Plate Spring                    | 1    | 58           | 205-665-1   | Rod Guide (Left)                  | 1    |                             |             |                               |      |
| 29           | 203-562-1   | Checker (for URW-10N, 12N & 12NA)   | 1    | 59           | 205-664-1   | Rod Guide (Right)                 | 1    |                             |             |                               |      |
| 29-1         | 218-562-1   | Checker (for URW-12NB)              | 1    | 60           | 216-656-1   | Ratchet (24mm)                    | 1    |                             |             |                               |      |

### FOOTNOTES

- = Parts for URW-10N
- ▼ = Parts for URW-12N
- = Parts for URW-12NA
- X = Parts for URW-12NB

AIMCO also offers a complete line of standard & special adapters, bits, sockets and extensions.



# AIMCO

When ordering spare parts, please specify tool type, part number and description.

10000 SE PINE, PORTLAND, OR 97216  
503-254-6600 FAX 503-255-2615