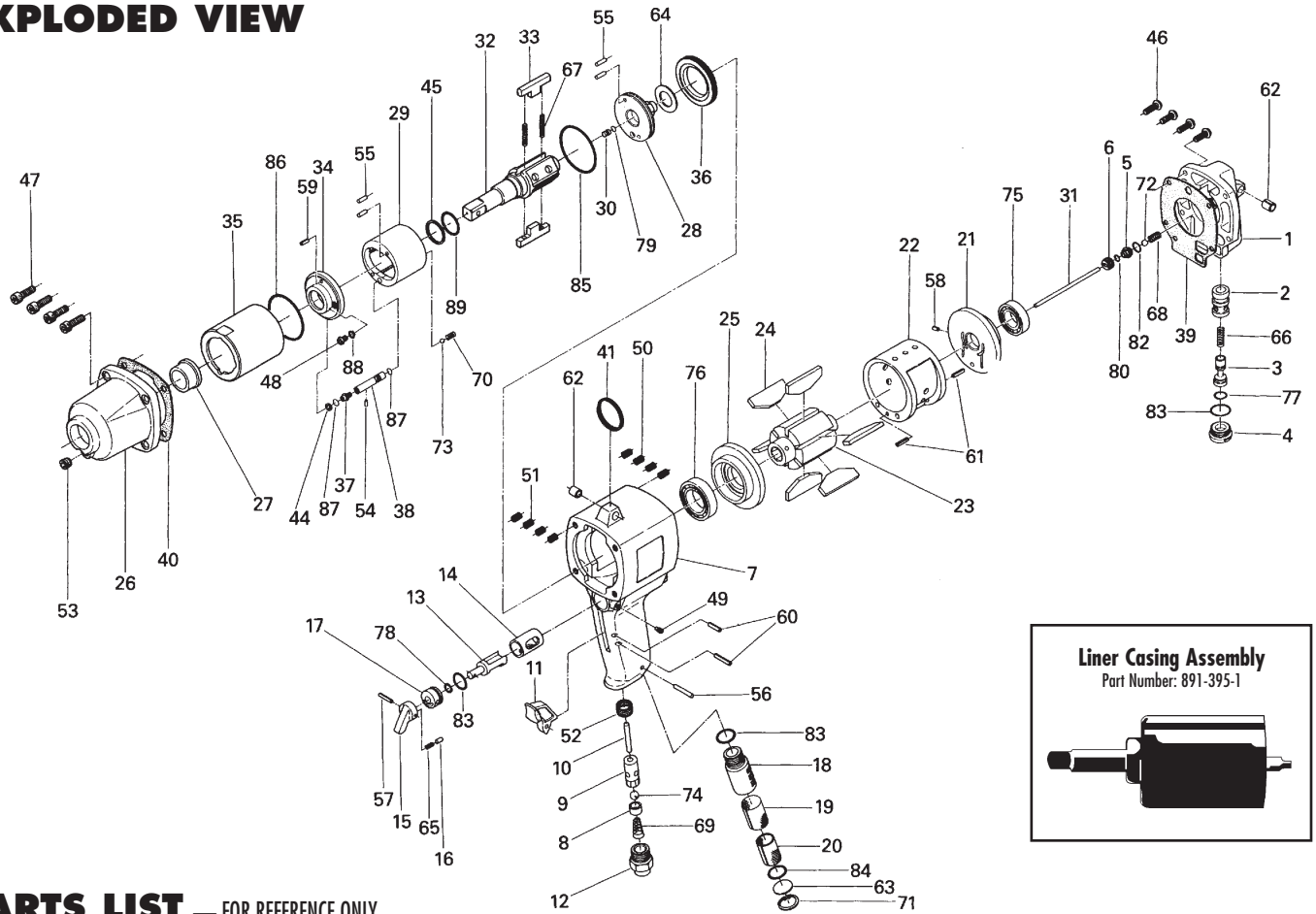


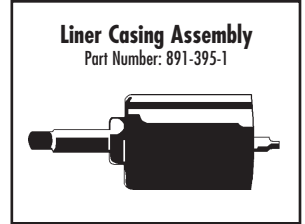
UX-T1400 OIL-PULSE TOOLS [TORQUE CONTROL]

EXPLODED VIEW



PARTS LIST — FOR REFERENCE ONLY

Index Number	Part Number	Description	Qty.	Index Number	Part Number	Description	Qty.	Index Number	Part Number	Description	Qty.
1	175-012-9	Head Cover	1	33	195-440-3	Driving Blade	2	67	976-795-0	Spring (4.3 x 40.5) (0.6) WPC	2
2	175-253-9	Shut-Off Valve Bushing	1	34	175-904-9	Front Liner Plate	1	68	976-275-0	Spring (6.7 x 12)	1
3	175-254-9	Shut-Off Valve	1	35	195-905-3	Liner Casing	1	69	977-180-0	Cone Spring (7.5 x 12 x 22)	1
4	175-927-9	Shut-Off Valve Cover	1	36	195-906-3	Liner Casing Cover	1	70	977-028-0	Cone Spring (4.5 x 5.5 x 10.5)	1
5	175-968-9	Pilot Valve Setter	1	37	175-907-9	Relief Valve Spindle	1	71	979-320-0	Inner Snap Ring (IRTW-20)	1
6	175-019-9	Valve Cover	1	38	175-970-9	Relief Valve	1	72	981-006-0	Ball (1/4)	1
7	175-025-9	Handle	1	39	175-853-2	Head Cover Packing	1	73	981-155-0	Ball (3.5mm)	1
8	188-100-1	Valve	1	40	195-867-3	Front Casing Packing	1	74	981-208-0	Ball (5/16) (Black)	1
9	063-102-3	Valve Bushing	1	41	004-790-2	Suspension Ring	1	75	982-103-0	Ball Bearing (6003)	1
10	193-104-6	Valve Rod	1	44	944-205-0	Supporter Ring (5.1 x 7 x 1)	1	76	982-906-0	Ball Bearing (6905)	1
11	026-107-7	Valve Lever	1	45	944-221-0	Supporter Ring (20.9 x 24.72 x 1.25)	1	77	990-006-0	O-Ring (P8)	1
12	195-091-3	Air Inlet Bushing	1	46	945-117-0	Allen Head Bolt (M5 x 16)	4	78	990-205-0	O-Ring (JW1516-5)	1
13	189-210-8	Reverse Valve	1	47	945-220-0	Allen Head Bolt (M6 x 20)	4	79	990-320-0	O-Ring (APR568-003)	1
14	189-211-8	Reverse Valve Bushing	1	48	945-942-0	Hexagon Round Head Bolt (M4 x 6)	1	80	990-901-0	O-Ring (SNS-3)	1
15	023-212-4	Reverse Lever	1	49	952-108-0	Allen Head Dog Point Screw (M4 x 8)	1	82	990-907-0	O-Ring (SNS-9)	1
16	054-220-1	Reverse Lever Notch	1	50	965-011-0	Heli-Sert (M5 x 1.5D)	4	83	990-914-0	O-Ring (SNS-16)	3
17	187-222-1	Reverse Valve Setter	1	51	965-021-0	Heli-Sert (M6 x 1.5D)	4	84	990-916-0	O-Ring (SNS-18)	2
18	195-780-9	Exhaust Stack	1	52	965-118-0	Heli-Sert (M18 x 1.5 x 1D)	1	85	990-936-0	O-Ring (SNS-45)	1
19	195-042-9	Silencer	1	53	966-100-0	Allen Head Plug (1/8)	1	86	990-937-0	O-Ring (SNS-46)	1
20	195-835-3	Filter	1	54	970-093-0	Pin (H) (2 x 6)	1	87	990-971-0	O-Ring (SNS-3) (NOK)	2
21	189-285-4	Rear Plate	1	55	970-206-0	Pin (H) (3 x 8)	4	88	990-972-0	O-Ring (SNS-4) (NOK)	1
22	189-286-4	Cylinder	1	56	971-163-0	Pin (2.5 x 23)	1	89	995-521-0	Teflon Seal (AR10400-P21GC)	1
23	195-287-2	Rotor	1	57	973-016-0	Roll Pin (2 x 16)	1	90	891-304-1	Socket Pin Assembly	1
24	189-288-9	Blade	6	58	973-066-0	Roll Pin (2.5 x 6)	1				
25	189-289-4	Front Plate	1	59	969-450-0	Pin (G) (3 x 8)	1				
26	195-439-3	Front Casing	1	60	973-118-0	Roll Pin (3 x 18)	2				
27	195-328-3	Anvil Bushing	1	61	973-214-0	Roll Pin (4 x 14)	2				
28	175-901-9	Liner Rear Plate	1	62	973-361-0	Roll Pin (8 x 12)	2				
29	175-902-9	Liner	1	63	975-600-0	Round Plate (20 x 1)	1				
30	175-546-9	Piston	1	64	975-812-0	Adjusting Spacer (30 x 17 x T)	1				
31	175-130-9	Operation Rod	1	65	976-025-0	Spring (3 x 8.5)	1				
32	891-314-1	Anvil (OP-P)	1	66	976-143-0	Spring (7 x 18.5)	1				



ACCESSORIES

92	939-104-0	Allen Wrench (5mm)	1
93	939-109-0	Allen Wrench (2mm)	1

AIMCO also offers a complete line of standard & special adapters, bits, sockets and extensions.

FOOTNOTES



AIMCO

When ordering spare parts, please specify tool type, part number and description.

10000 SE PINE, PORTLAND, OR 97216
503-254-6600 FAX 503-255-2615