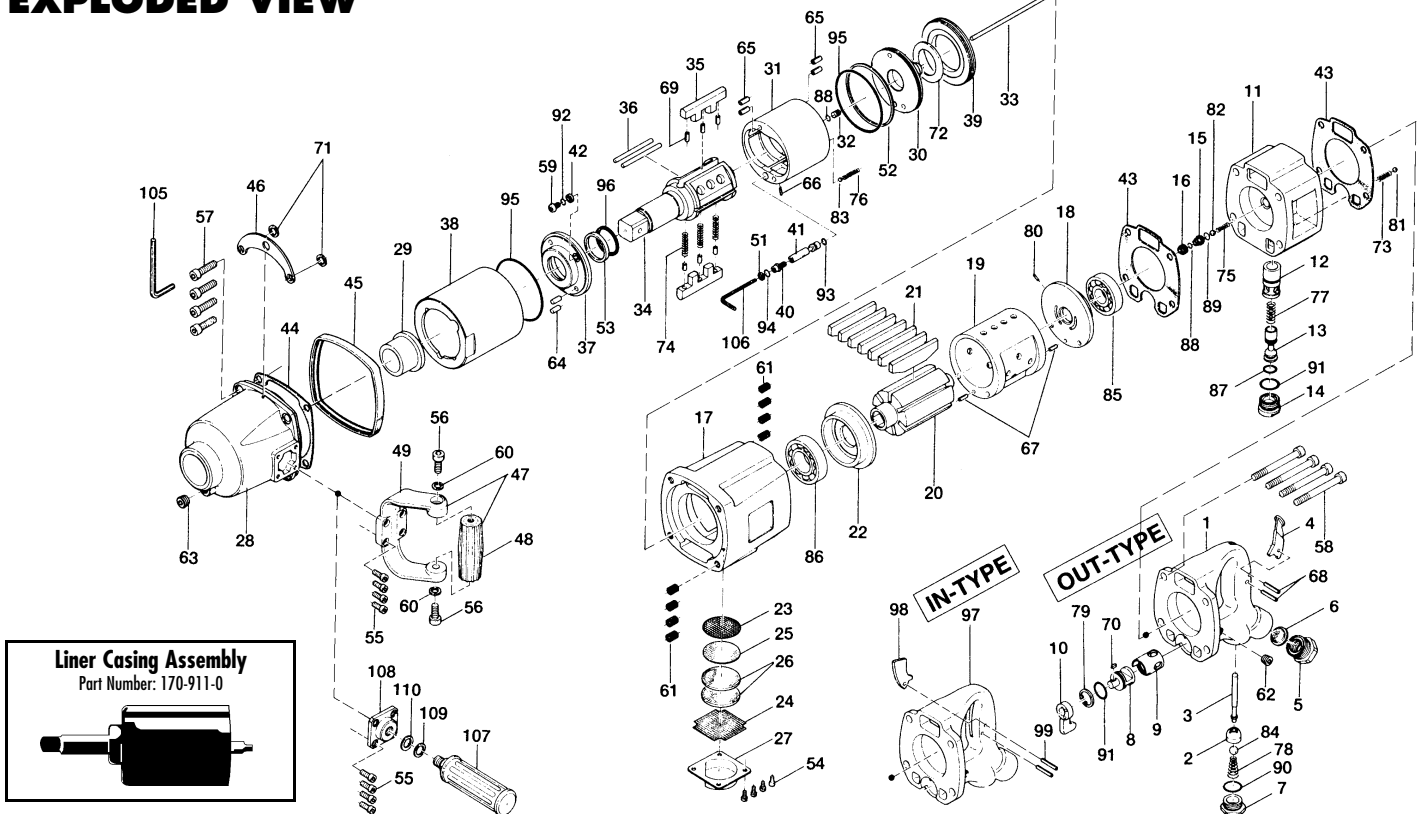


UXR-T3000S OIL-PULSE TOOLS

EXPLODED VIEW



PARTS LIST — FOR REFERENCE ONLY

Index Number	Part Number	Description	Qty.	Index Number	Part Number	Description	Qty.	Index Number	Part Number	Description	Qty.
1	175-010-2	Handle (Out)	1	38	175-905-2	Liner Casing	1	74	976-236-0	Spring (7.3 x 59 x 0.9)	3
2	116-100-0	Valve	1	39	175-906-2	Liner Casing Setter	1	75	976-275-0	Spring (6.7 x 12 x 0.7)	1
3	116-104-0	Valve Rod	1	40	173-907-3	Relief Valve Spindle	1	76	976-291-0	Spring (5.5 x 13.8 x 0.8)	1
4	109-107-1	Valve Lever (Out)	1	41	170-970-0	Relief Valve	1	77	976-297-0	Spring (10.5 x 32 x 1.0)	1
5	518-091-6	Air Inlet Bushing	1	42	188-807-1	Spacer	1	78	977-257-0	Cone Spring (10 x 15 x 25)	1
6	573-835-9	Filter	1	43	175-850-2	Handle Packing	2	79	979-019-0	Inner Snap Ring (26)	1
7	103-243-0	Regulator Valve Cover	1	44	175-867-2	Front Casing Packing	1	80	980-009-0	Round Head Notch (4)	1
8	175-210-2	Reverse Valve	1	45	103-840-0	Casing Protector	1	81	981-005-0	Ball (7/32)	1
9	175-211-2	Reverse Valve Bushing	1	46	175-794-2	Suspension Plate	1	82	981-006-0	Ball (1/4)	1
10	103-212-0	Reverse Lever	1	47	116-896-0	Dead Handle Assembly	1	83	981-245-0	Ball (4.5)	1
11	170-026-0	Separator	1	48	116-720-0	Dead Handle	1	84	981-032-0	Polyurethane Ball (7/16)	1
12	170-253-0	Shut-Off Valve Bushing	1	49	116-722-0	Dead Handle Connector	1	85	982-205-0	Ball Bearing (6205)	1
13	170-254-0	Shut-Off Valve	1	51	944-208-0	Supporting Ring (8.1 x 10 x 1)	1	86	982-206-0	Ball Bearing (6206)	1
14	170-927-0	Shut-Off Valve Cover	1	52	944-085-0	Supporting Ring (85 x 88 x 1)	1	87	990-011-0	O-Ring (P12)	1
15	175-968-9	Pilot Valve Retainer	1	53	944-230-0	Supporting Ring (3.9 x 39.6 x 1.5)	1	88	990-901-0	O-Ring (SNS-3)	2
16	175-019-9	Valve Cover	1	54	945-008-0	Allen Head Bolt (M4 x 8)	4	89	990-907-0	O-Ring (SNS-9)	1
17	175-025-2	Casing	1	55	945-114-0	Allen Head Bolt (M5 x 14)	4	90	990-918-0	O-Ring (SNS-20)	1
18	175-285-2	Rear Plate	1	56	945-318-0	Allen Head Bolt (M8 x 18)	2	91	990-919-0	O-Ring (SNS-22)	2
19	175-286-2	Cylinder	1	57	945-330-0	Allen Head Bolt (M8 x 30)	2	92	990-949-0	O-Ring (P3-NOK)	1
20	170-287-0	Rotor	1	57-1	945-325-0	Allen Head Bolt (M8 x 25)	2	93	990-974-0	O-Ring (SUS-6 NOK)	1
21	175-288-2	Blade	7	57-2	962-011-0	Spring Washer (2-85)	2	94	990-977-0	O-Ring (SNS-7 NOK)	1
22	175-289-2	Front Plate	1	58	945-379-0	Allen Head Bolt (M8 x 85)	4	95	990-995-0	O-Ring (SNS-80 NOK)	2
23	175-021-2	Exhaust Plate	1	59	945-960-0	Hexagon Round Head Bolt (M6 x 8)	1	96	995-501-0	Teflon Seal (AR10400-P34GC)	1
24	175-042-2	Silencer	1	60	961-014-0	Flat Washer (8)	2	97	175-010-3	Handle (IN)	1
25	175-099-2	Noise Filter	1	61	965-041-0	Heli-Sert (M8 x 1.5D)	8	98	085-107-1	Valve Lever (IN)	1
26	175-835-2	Filter	2	62	966-100-0	Allen Head Plug (GM:1/8)	1	99	973-124-0	Roll Pin (3 x 24)	2
27	175-782-2	Exhaust Cover	1	63	966-101-0	Allen Head Plug (GM:1/4)	1				
28	175-439-3	Front Casing	1	64	969-465-0	Pin (G) (6 x 12)	2				
29	175-328-2	Anvil Bushing	1	65	972-902-0	Roller (6 x 8)	4				
30	170-901-0	Rear Liner Plate	1	66	972-009-0	Roller (2 x 9)	1				
31	170-902-0	Liner	1	67	973-214-0	Roll Pin (4 x 14)	2				
32	173-546-3	Piston	1	68	973-222-0	Roll Pin (4 x 22)	2				
33	170-130-0	Operating Rod	1	69	973-308-0	Roll Pin (5 x 8)	6				
34	175-319-2	Anvil	1	70	974-008-0	Key (3 x 8)	1				
35	175-440-2	Driving Blade	2	71	975-051-0	Spacer (14 x 10 x 1)	2				
36	175-974-2	Roller (4.4 x 72)	2	72	975-863-1	Adjusting Spacer (40 x 25.1 x T)	1				
37	170-904-0	Front Liner Plate	1	73	976-076-0	Spring (5 x 19 x 0.6)	1				



AIMCO

When ordering spare parts, please specify tool type, part number and description.
 10000 SE PINE, PORTLAND, OR 97216
 503-254-6600 FAX 503-255-2615

FOOTNOTES

AIMCO also offers a complete line of standard & special adapters, bits, sockets and extensions.