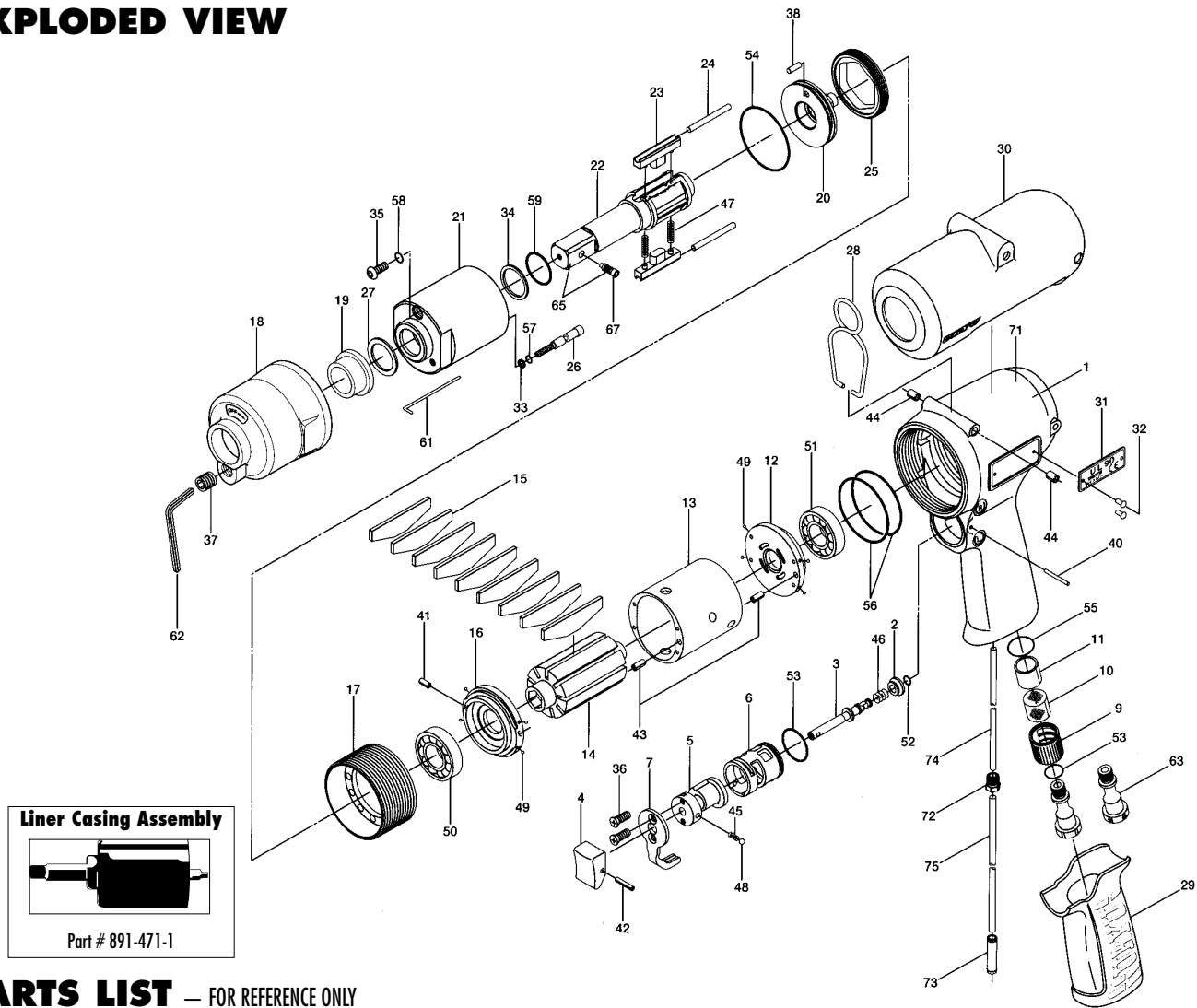
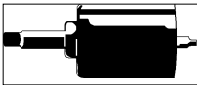


UL90 SERIES OIL-PULSE TOOLS

EXPLODED VIEW



Liner Casing Assembly



Part # 891-471-1

PARTS LIST — FOR REFERENCE ONLY

Index Number	Part Number	Description	Qty.	Index Number	Part Number	Description	Qty.	Index Number	Part Number	Description	Qty.
01	143-025-9	HANDLE	1	28	174-790-0	SUSPENSION BAIL	1	54	990-915-0	O-RING (SNS-29)	1
02	147-100-8	VALVE	1	29	147-842-2	HANDLE COVER	1	55	990-919-0	O-RING (SNS-22)	1
03	147-104-8	VALVE ROD	1	30	143-840-9	CASING PROTECTOR	1	56	990-932-0	O-RING (SNS-42)	2
04	147-107-2	VALVE LEVER	1	31	143-924-9	METAL TAG	1	57	990-970-0	O-RING (SNS-2)	1
05	147-210-8	REVERSE VALVE	1	32	930-205-0	SCREW (NO.0X2.6)	2	58	990-971-0	O-RING (SNS-3) (NOK)	1
06	147-211-8	REVERSE VALVE BUSHING	1	33	944-002-0	SUPPORTING RING (2.6X4.5X1)	1	59	992-021-0	SU-RING(Q16)(NTN)	1
07	147-212-8	REVERSE LEVER	1	34	944-215-0	SUPPORTING RING (16X19.9X1.5)	1	63	147-091-8	AIR INLET BUSHING	1
09	147-780-9	EXHAUST STACK	1	35	945-942-0	HEXAGON ROUND HEAD BOLT (M4X6)	1	65	891-556-1	ANVIL (OP-P)	1
10	147-042-8	SILENCER	1	36	948-423-0	ALLEN FLUSH HEAD SCREW (M3X6)	2	67	891-304-1	SOCKET PIN ASSEMBLY (1/2)	1
11	147-835-8	FILTER(K100)	1	37	966-099-0	ALLEN HEAD PLUG (NPT 1/16)	1				
12	143-285-9	REAR PLATE	1	38	970-204-0	PIN (H) (3X6)	1	PARTS FOR (TM)-TYPE			
13	143-286-9	CYLINDER	1	40	971-125-0	PIN (2X25)	1	71	851-041-1	HANDLE	1
14	147-287-8	ROTOR	1	41	973-006-0	ROLL PIN (2X6)	1	72	850-610-1	CONNECTING SCREW	1
15	147-288-8	BLADE(PC)	9	42	973-014-0	ROLL PIN (2X14)	1	73	933-250-0	ONE-TOUCH CONNECTOR (SLS-04)	1
16	143-289-9	FRONT PLATE	1	43	973-068-0	ROLL PIN (2.5X8)	2	74	935-250-0	NYLON TUBE (18NY)	1
17	143-036-9	FRONT CASING CONNECTOR	1	44	973-308-0	ROLL PIN (5X8)	2	75	935-350-0	POLYURETHANE HOSE (F1504)	1
18	143-439-9	FRONT CASING	1	45	976-006-0	SPRING (3X5)(0.4)	1	ACCESSORIES			
19	147-328-8	ANVIL BUSHING	1	46	976-643-0	SPRING (7.5X9.7)(0.9)	2	61	939-091-0	ALLEN WRENCH (1.5MM)	1
20	143-901-9	REAR LINER PLATE	1	47	976-785-0	SPRING (3.75 X 27)(0.5)WPC	2	62	939-105-0	ALLEN WRENCH (4MM)	1
21	143-902-9	LINER	1	48	981-002-0	BALL (1/8)	1				
22	143-319-9	ANVIL (OP-O)	1	49	981-045-0	BALL (1.5)	8				
23	147-440-8	DRIVING BLADE	2	50	982-903-0	BALL BEARING (6902)	1				
24	147-974-8	ROLLER PIN (2.5X30)	2	51	982-949-0	BALL BEARING (16001)	1				
25	143-906-9	LINER CASING COVER	1	52	990-306-0	O-RING (ARP568-004)(H)	1				
26	143-970-9	RELIEF VALVE	1	53	990-914-0	O-RING (SNS-16)	2				
27	147-327-8	ANVIL FRONT SPACER	1								

FOOTNOTES

AIMCO also offers a complete line of standard & special adapters, bits, sockets and extensions.



When ordering spare parts, please specify tool type, part number and description.

10000 SE PINE, PORTLAND, OR 97216
503-254-6600 FAX 503-255-2615