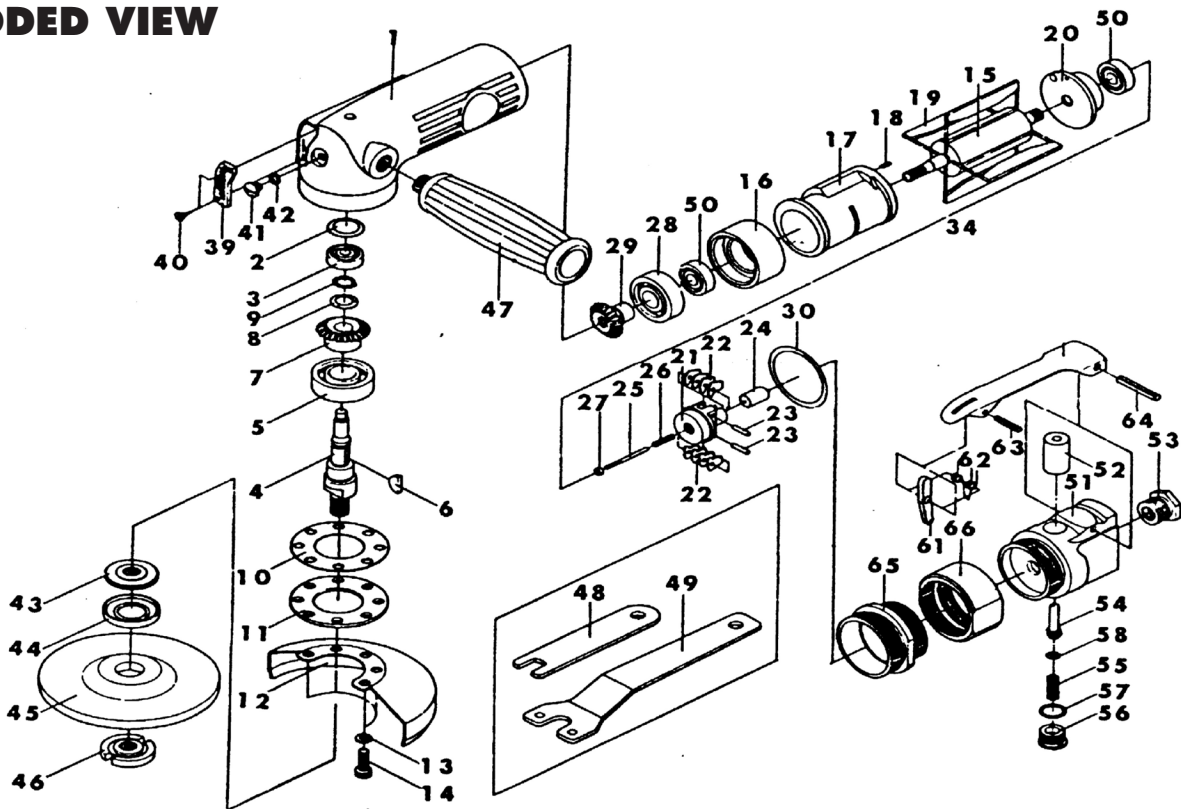


5006 (4") & 5007 (5") ANGLE DIE GRINDERS

EXPLODED VIEW



PARTS LIST — FOR REFERENCE ONLY

Index Number	Part Number	Description	Qty.	Index Number	Part Number	Description	Qty.	Index Number	Part Number	Description	Qty.	
1	DG-40001	Motor Housing	1	41		Plug	1	47	AP-70047	Handle	1	
2	DG-40002	Seal Plate	1	42		O-Ring	1	48	DG-40048	Wrench (A)	1	
3	982-021-0	Ball Bearing 626ZZ	1	55		Valve Spring	1	49	AG-30058	Wrench (B)	1	
4	DG-40004	Arbor	1	57		O-Ring	1	50	982-045-0	Ball Bearing 608	2	
5	982-242-0	Ball Bearing 6202ZZ	1		20	VP-70013	Rear End Plate	1	51	DG-40051	Throttle Valve Housing	1
6	WK-0313A	Woodruff Key	1			5006-GA*	Governor Assembly Kit (Parts available in kit only)	1	52	DG-40052	Bushing	1
7	DG-40007	Bevel Gearing	1	21		Governor	1	53	AR-38001	Air inlet Bushing	1	
8	WW-0010	Wave Washer	1	22		Pendulum	8	54	DG-40054	Valve Stem	1	
9	STW-010	External Stop Ring	1	23		Spring Pin	2	56	DG-40056	Throttle Lever Plug	1	
10	DG-40010	Gasket	1	24		Plunger	1	58	ORP-0050	O-Ring	1	
11	DG-40011	Retainer	1	25		Adj. Screw	1	59	DG-40059	Throttle Lever	1	
12	DG-40012	Center Wheel Guard for 5006	1	26		Spring	1	61	DG-40061	Throttle Lever Lock	1	
	DG-40012-5	Center Wheel Guard for 5007	1	27		Adjust Nut	1	62	DG-40062	Torsion Spring	1	
14	B2-0512A	Hex Socket Head Cap Bolt	5		28	982-241-0	Ball Bearing 6201Z	1	63	SP-30175	Spring Pin	1
15	DG-40015	Rotor	1		29	DG-40029	Bevel Pinion	1	64	SP-40300	Spring Pin	1
16	DG-40016	Front end Plate	1		39	DG-40039	Exhaust Deflector	1	65	DG-40065	Lock Ring	1
17	VP-70017	Cylinder	1		40	T2-30088	Tapping Screw	2	66	DG-40066	Coupling Nut	1
	5006-RK*	Repair Kit (Parts available in kit only)	1		43	AG-30052	Flange	1		ACCESSORIES		
18		Spring Pin	1		44	AG-30053	Flange Rubber Shield	1	400-78	5/8" Threaded Adapter	1	
19		Rotor Blade	4		45	AG-40059	Grinding Wheel	1	GA-3495	Adapter Wheels for 3/8" Hubbed Wheel	1	
30		O-Ring	1		46	AG-30054	Flange Nut	1	GA-3588	Wheel nuts for 3/8" Hubbed Wheel	1	

FOOTNOTES

EAGLE
GROUP
A Division of AIMCO

10000 SE PINE
PORTLAND, OR 97216
503-254-6600
FAX 503-255-2615

When ordering spare parts, please specify
tool type, part number, and description